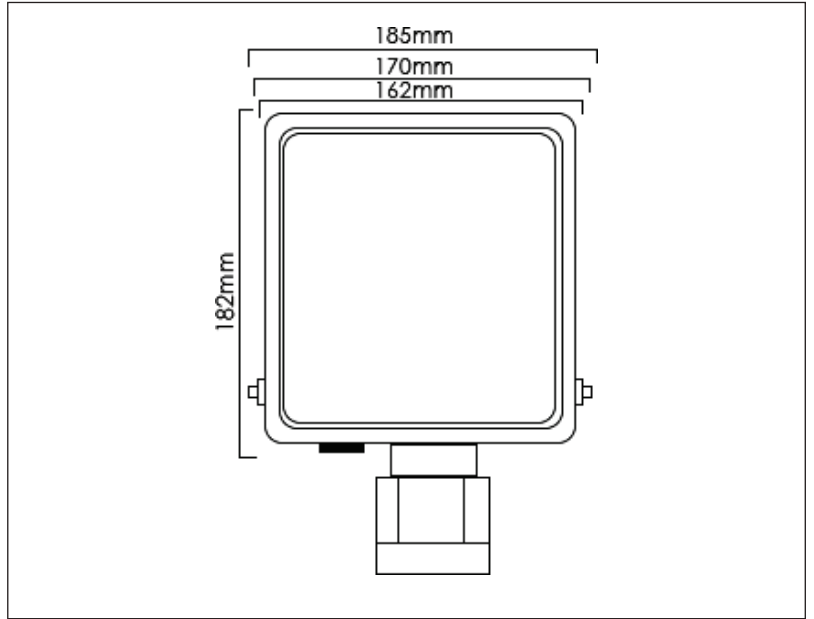


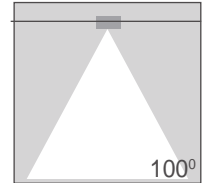
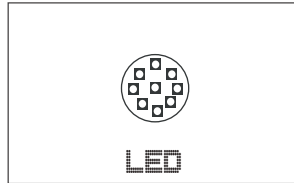
Syv[®]
design

LED
FLOODLIGHT SERIES

TECHNICAL DATA SHEET - FLUT LED - 13931- LED SENSOR FLOOD LIGHT



13931
LED
Rated Luminare luminous flux: 1900lm
Rated input power: 20W
Input voltage: AC 100-240V
Distance: 12m



Product Specification

The Illuminating Flut consists of a complete assortment of patented cooler design in flood light series. Its power consumption promises saving upto 60% than metal halide. It is characterized as one in a kind LED flood light series that can be mounted on outdoor walls.

Technical Data

Product type	LED Sensor Flood Light
Wattage	20W
Rated Luminare luminous flux	1900lm
IP rating	54
Beam Angle	100°
Color temperature	6000K
RA	>80
Power factor	>0.9
Distance	12m
Power Consumption	Saving upto 60% than metal halide
On/Off	90,000 times
Finish	Patented Cooler Design
Applications	Residential, Commercial, Hospitality
Warranty	3 Years