



# CUBO 6

## Recessed Spotlight



### Features

- Best lumen output with efficacy 80 Lm/W
- Die cast aluminium body & heat sink designed for effective heat dissipation
- High light uniformity
- High value appearance and durability



**Installation**  
Recessed

**>80**  
**CRI**

**Colour Rendering Index**  
**≥80**

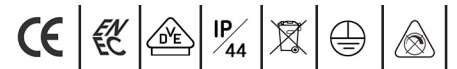


**IP Rating**  
IP44

**3**  
years  
warranty

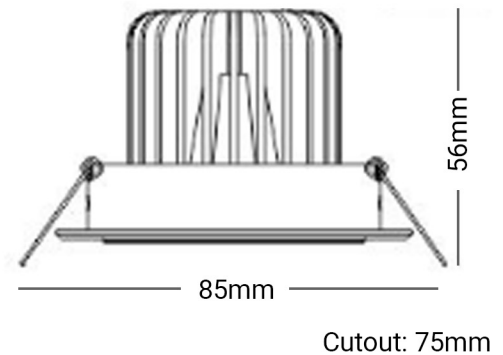
**Standard Warranty**  
3 Years

## TECHNICAL DATA SHEET - CUBO 6 - 15572 - RECESSED SPOTLIGHT



### TECHNICAL DATA

<b>Product Data</b>	Recessed Spotlight
<b>Lamp Type</b>	EPISTAR LED
<b>Wattage</b>	6W
<b>Color Temperature</b>	3000K
<b>Rated Luminaire Luminous Flux</b>	480lm
<b>Rated Luminaire Efficiency</b>	80lm/W
<b>IP Rating</b>	44
<b>Beam Angle</b>	40°
<b>Voltage</b>	AC220-240V
<b>Frequency Range</b>	50-60 Hz
<b>CRI</b>	Ra>80
<b>Power Factor</b>	>0.5
<b>Operating temperature</b>	-20°C ~ +40°C
<b>Material</b>	Die-cast aluminium body
<b>Finish</b>	White
<b>Life Span</b>	30,000 Hours
<b>Warranty</b>	3 Years
<b>Applications</b>	Residential, Hospitality, Commercial, etc.



### TECHNICAL OPTIONS

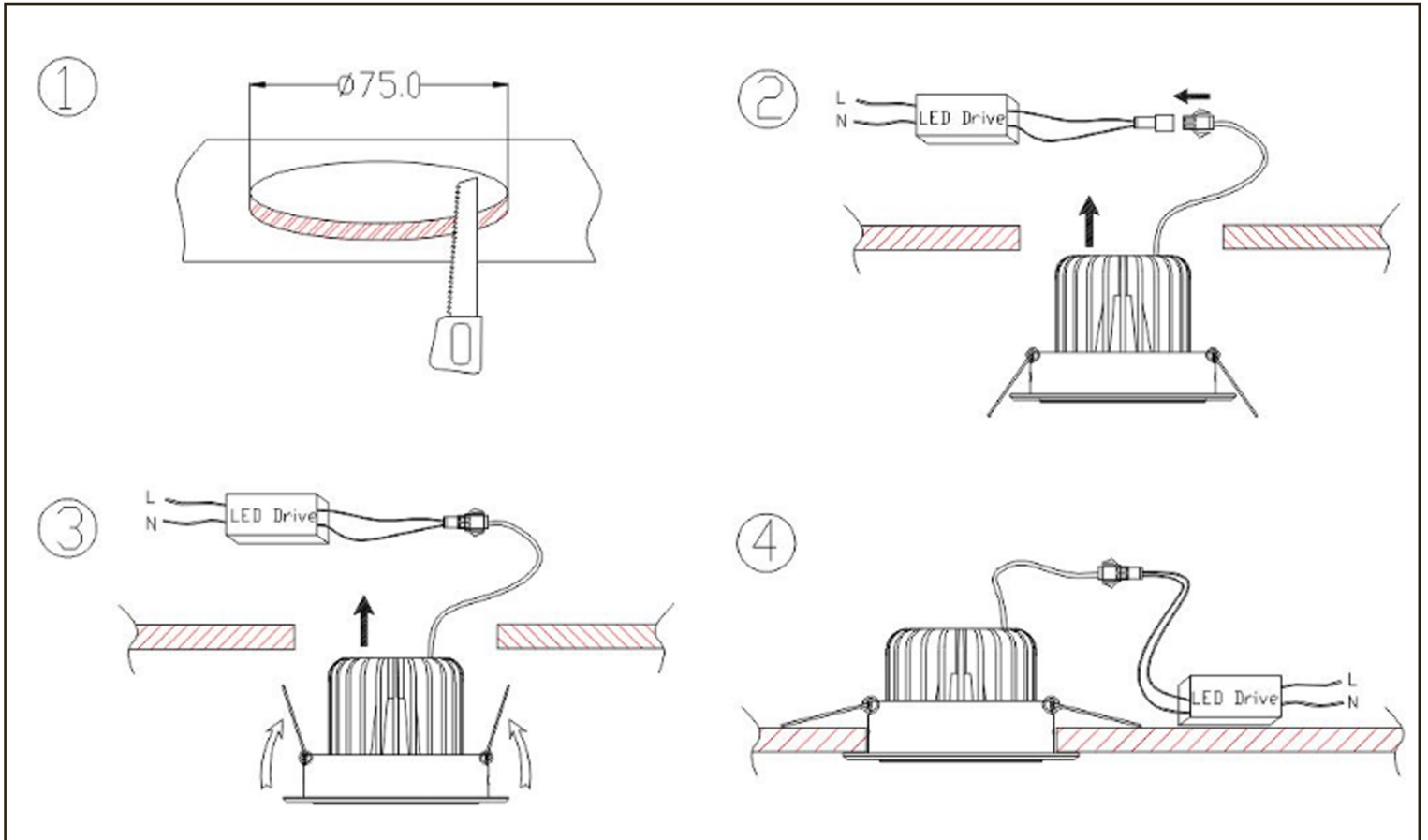
<b>Wattage</b>	3W, 9W, 16W, 24W, 30W, 40W, 50W
<b>Color Temperature</b>	3000K-6000K
<b>Control</b>	TRIAC, 1-10V, DALI

### PRODUCT DESCRIPTION

The Cubo series is a constant current input LED lamp series for commercial, residential, hospitality modular recessed spotlight range. This high powered modular spotlight is perfect for centre display benches, broad retail spaces and display shelvings.

## TECHNICAL DATA SHEET - CUBO 6 - 15572 - RECESSED SPOTLIGHT

### INSTALLATION INSTRUCTIONS



**SYV**  
design



RECESSED SPOTLIGHT