

## Plaza Panel light



### Features

- Ideal replacement for traditional troffer with over 80% energy saving
- Plastic frame + PC
- Produces a gentle and uniform illumination, offering state of the art energy efficient lighting
- Easy to install making replacement of traditional fixtures simple

 **Recessed**

 **IP Rating**  
IP40

 **UGR**  
<24

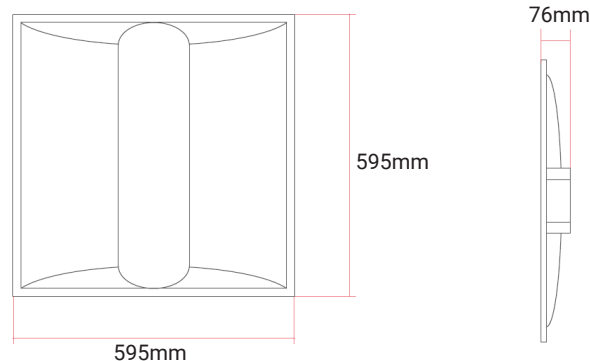
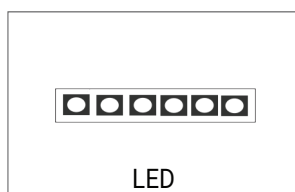
**7** years  
warranty **Standard Warranty**

## TECHNICAL DATA SHEET - PLAZA - 15367 - TROFFER PANEL LIGHT



### TECHNICAL DATA

<b>Product Data</b>	Panel light
<b>Lamp Type</b>	EPISTAR LED
<b>Wattage</b>	35W
<b>Color Temperature</b>	6000K
<b>Rated Luminaire Luminous Flux</b>	4025lm
<b>Rated Luminaire Efficiency</b>	115lm/W
<b>IP Rating</b>	40
<b>Beam Angle</b>	120°
<b>Voltage</b>	AC220-240V
<b>Frequency Range</b>	50-60 Hz
<b>CRI</b>	Ra>80
<b>Power Factor</b>	>0.9
<b>Output Current</b>	850mA
<b>UGR Rating</b>	<24
<b>Safety Class</b>	Class II
<b>Operating Temperature</b>	-20°C ~ +40°C
<b>SDCM(Macadam step)</b>	<5
<b>Material</b>	Plastic frame + PC
<b>Finish</b>	White
<b>Life Span</b>	70,000 Hours
<b>Warranty</b>	7 Years
<b>Applications</b>	Residential, Commercial, Hospitality etc.



### TECHNICAL OPTIONS

<b>Wattage</b>	50W
<b>Color Temperature</b>	3000K-6000K
<b>Control</b>	Switchable, TRIAC, 1-10V, Dali, 0-10V