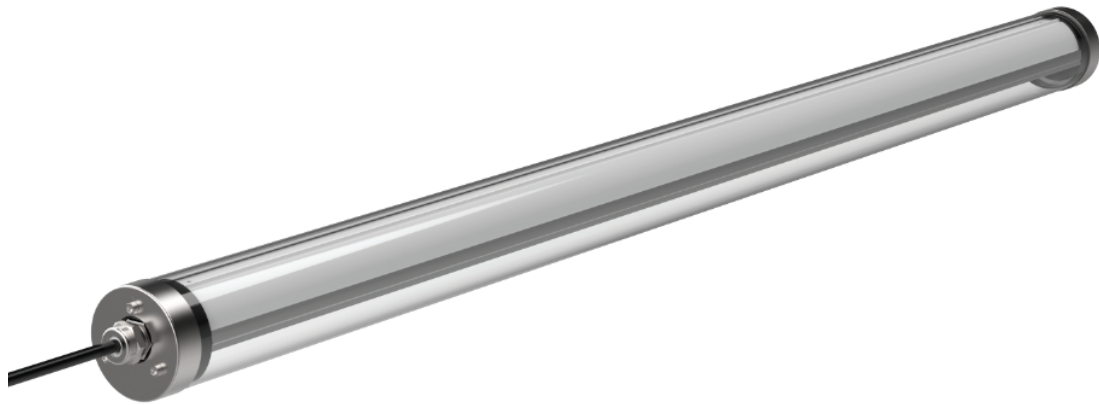


Fargo

Tubular Linear Light



Features

- As a classic all-rounder, Fargo offers maximum protection for applications with demanding conditions. Fargo adopts tubular BOROSILICATE GLASS, which has a small linear expansion coefficient and high thermal stability. It is beneficial for harsh and extreme environments. Except for protection level of IP68K, Fargo has the advantages that works with heavy corrosion and high temperature conditions.



IK Rating
IK06



IP Rating
IP68

5 years
warranty

Standard Warranty

Configuration



Pendant

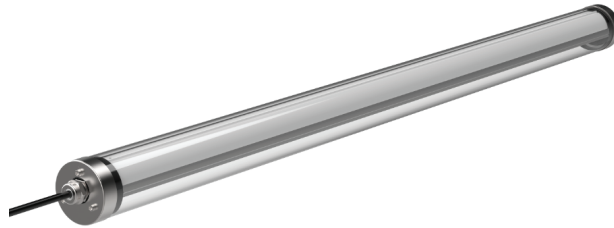


Ceiling



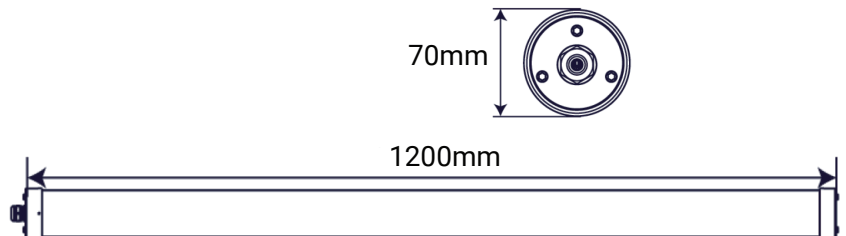
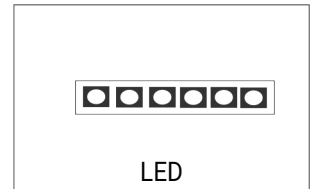
Wall

TECHNICAL DATA SHEET - FARGO - 19445 - TUBULAR LINEAR LIGHT



TECHNICAL DATA

Product Data	Tubular Linear Light
Lamp Type	OSRAM LED
Wattage	36W
Color Temperature	4000K
Rated Luminaire Luminous Flux	5400lm
Rated Luminaire Efficiency	150lm/W
Beam Angle	120°
IP Rating	68
Input Voltage	AC220-240V
Outout Voltage	DC180-264V
Frequency Range	50-60 Hz
CRI	Ra>80
Power Factor	>0.9
SDCM (MacAdam)	<3
Safety Class	Class I
Operating Temperature	-20 ~+50°C
Material	Glass/Sheet metal board
End Cap	Stainless steel 316
Finish	Silver
Life Span	50,000 Hours
Warranty	5 Years
Applications	Chemical plant, cooking plant, oil platform, Refinery, Car Wash, etc.

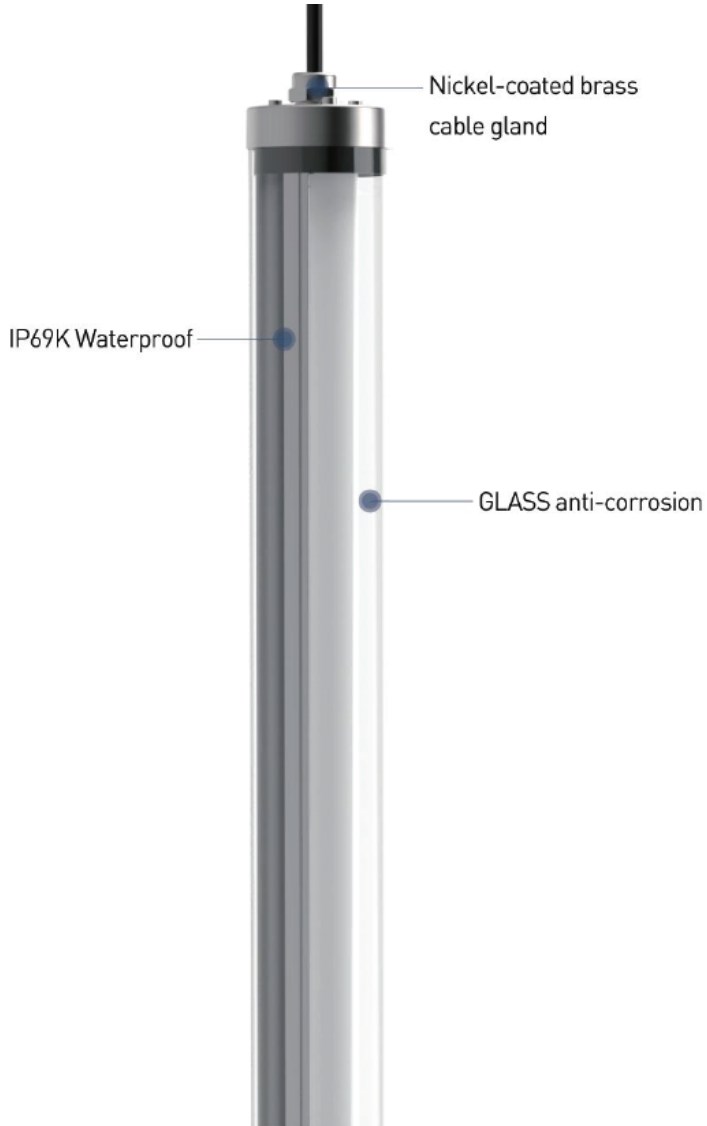


TECHNICAL OPTIONS

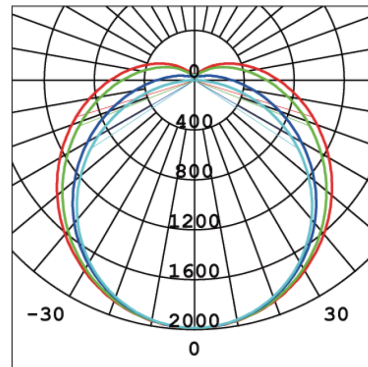
Wattage	48W
CCT	3000K - 6000K
Control	0~10V, 1~10V, DALI, Microwave sensor

TECHNICAL DATA SHEET - FARGO - 19445 - TUBULAR LINEAR LIGHT

FEATURES



PHOTOMETRICS



120°