

Olin Highbay Light (Wattage & CCT Changeable)



Aluminum reflector



PC reflector

Features

- Ideally designed for applications in warehouses, gyms, manufacturing, airplane hangers and large retail outlets.
- With an enclosed power supply and covered optics, these units are designed for durability in industrial applications, yet provide the aesthetics required in retail applications.
- No harmful UV & IR Radiations
- Larger PCB board, excellent heat dissipation



Suspended



IP Rating
IP65

Colour Rendering Index
 ≥ 80

5
years
warranty

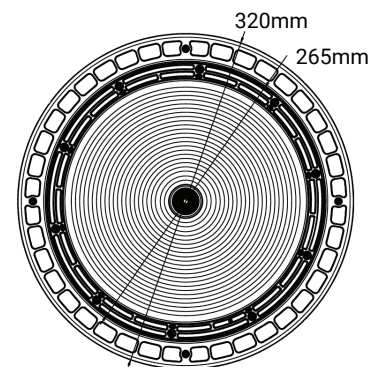
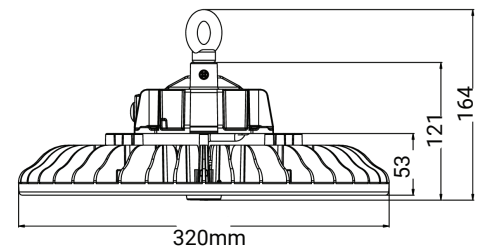
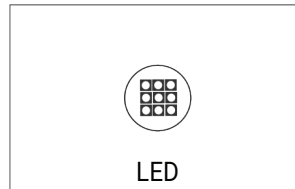
Standard Warranty

TECHNICAL DATA SHEET - OLIN - 19436 - HIGHBAY LIGHT



TECHNICAL DATA

Product Data	Highbay Light
Lamp Type	PHILIPS LED
Wattage	100W/150W/200W
Color Temperature	3000K/4000K/6000K
Rated Luminaire Efficiency	160 ~ 170lm/W
IP Rating	65
Beam Angle	110°
Voltage	AC100-277V
Frequency Range	47-63HZ
CRI	Ra>80
Power Factor	>0.9
Operating Temperature	-40°C ~ +50°C
Surge Protection	10KV
Material	Aluminum Alloy+PC Glass
Finish	Black
Life Span	50,000 Hours
Warranty	5 Years
Applications	Warehouse, Industrial, Hypermarket, Supermarket, etc.

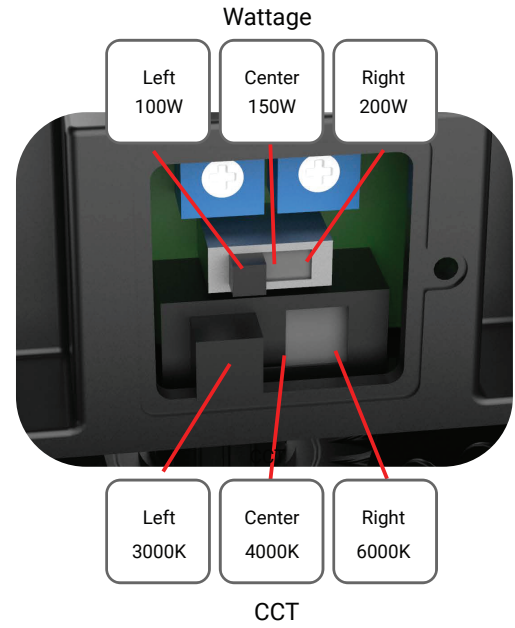
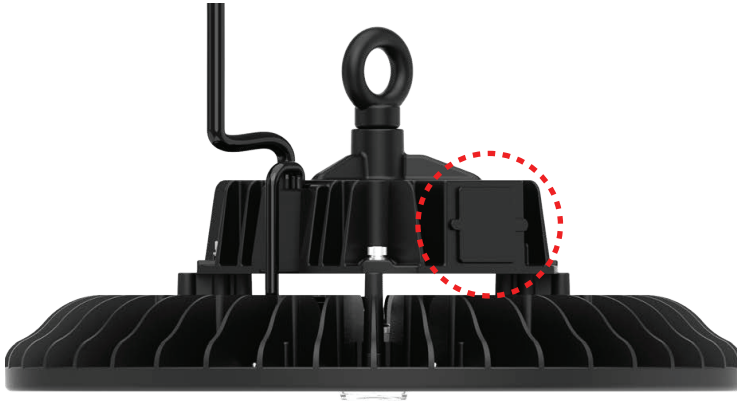


TECHNICAL OPTIONS

Beam Angle	60°/90°
Mounting	Ceiling Mounted
Optional Accessories	PC /Aluminum reflector, Safety rope Adjustable brackets, Hanging Hook

TECHNICAL DATA SHEET - OLIN - 19436 - HIGHBAY LIGHT

WATTAGE & CCT SELECTION



OPTIONAL ACCESSORIES

