

solana®

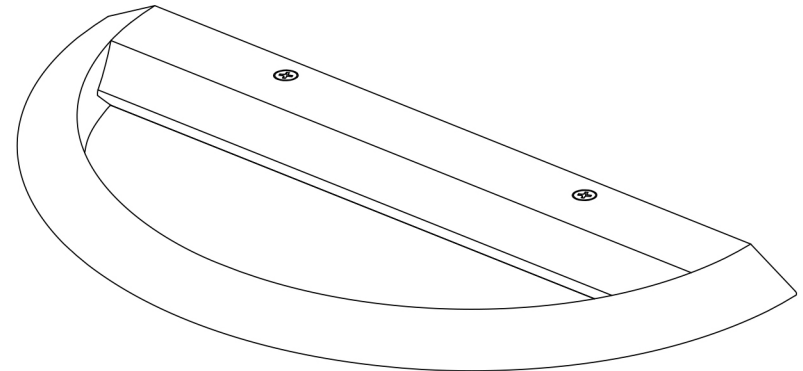
Mercury Round Wall Lamp

Assembly Instructions
Product Code

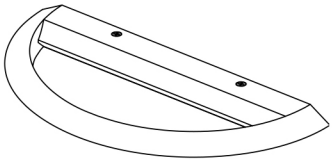
14749

220V-240V~50Hz

LED 1xMax.3W



CONTENTS



1 x Main Body



2 x Raw Plugs



2 x Wall Screws

BEFORE YOU START

It is extremely important that these instructions are read carefully and any illustrations studied before commencing installation. Please retain these instructions for future reference.

WARNING!

- Electricity can be dangerous.
- Do not attempt to fit installation unless you are competent.
- If in any doubt consult a qualified electrician to complete electrical installation.
- Installation to comply with current IEE wiring regulations
- The lighting is for use in a normal dry domestic indoor environment.
- If you find any damage to the electrical parts, please ask a qualified electrician to replace it.

Installation

- Take care when handling and installing to avoid damage to the product.
- Avoid mounting the fitting on a damp surface such as newly painted or plastered area as this may cause discoloration of the finish.

Tools

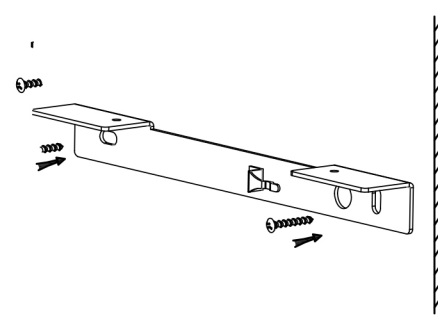
- Cross headed screwdriver

Cleaning Instructions and Care

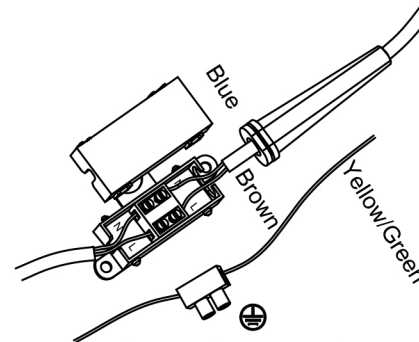
- Take extra care when cleaning and assembling.
- Do not use any chemical or abrasive agents to clean the shade.

General Assembly

1. Make sure that the power source is still accessible. Drill the surface to fit the wall light, using the metal bracket to locate the holes position.
2. Screw the metal bracket onto the wall, using the selftapping screws and raw plugs if necessary.

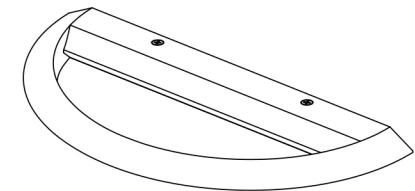
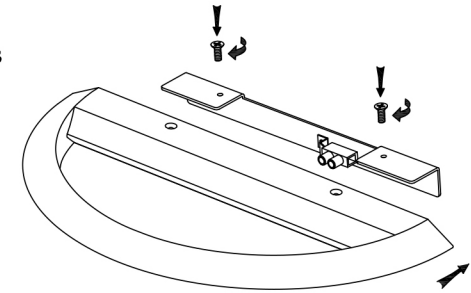


3. Using the connector block to connect to the mains power supply as shown below.



This product must be earthed

4. Fix the lamp body to the bracket and tighten the screws.



Your light is now ready for use