

solana®

FITTING INSTRUCTIONS

Installation instruction

Dear customer, please read the installation instruction before installation.

1. The chandelier or ceiling hanging must use explosive screws fixed, advice please electrician to install.
2. Please install with gloves on. in order to avoid the lamp surface scratched or damaged.
3. Do not mount the lamp in the lime water wet or damp ceiling.
4. The lamp when cleaning, please use the non corrosive. environmentally friendly cleaning agent.

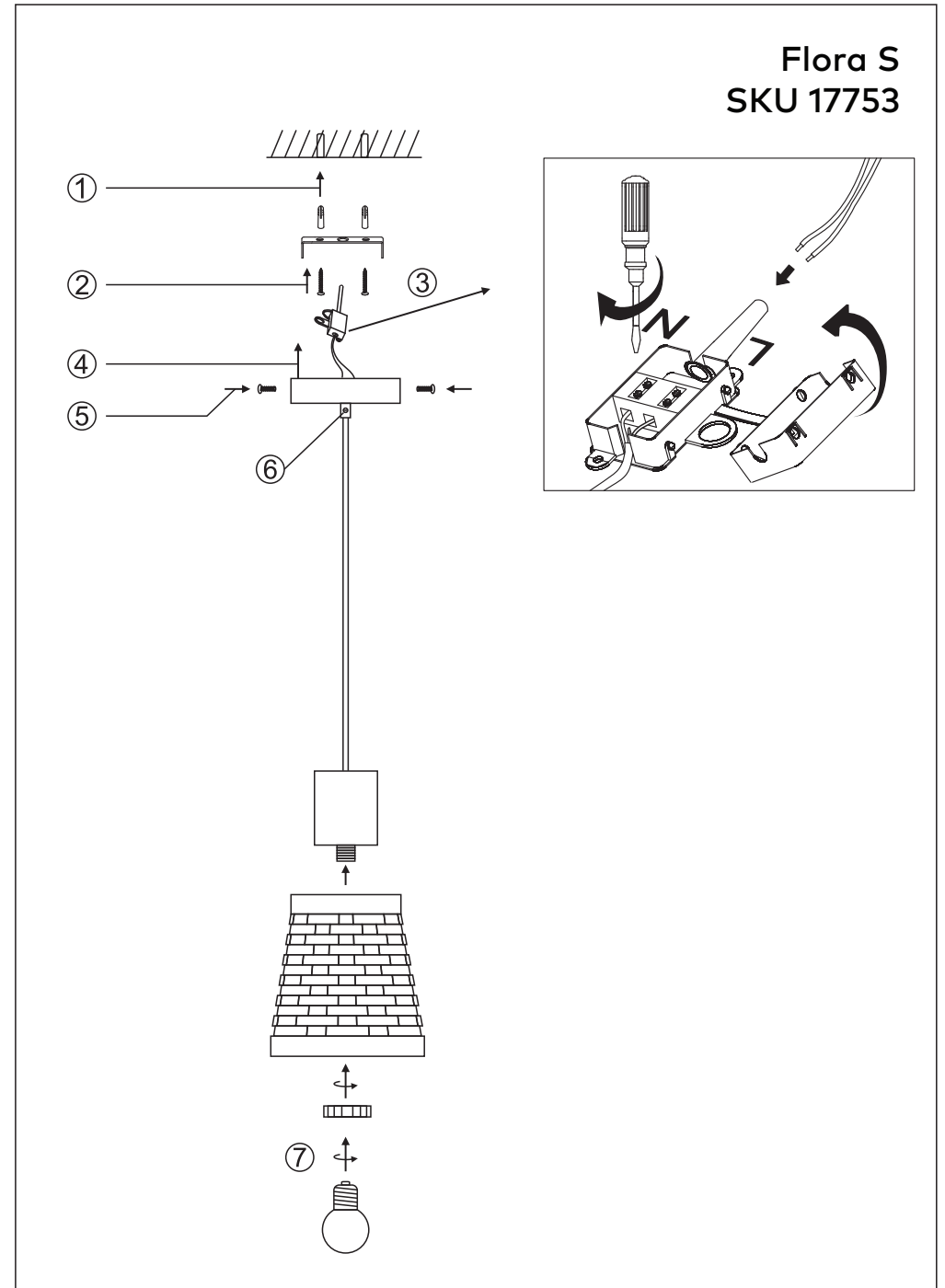
Warning:

Illegal operations, will cause harm, install or repair lamps. please turn off the power switch or insurance so as to avoid the electric shock.

The installation method:

Special remind: before installation, please discount the power supply.

1. The ceiling on detonation screws, and then mounted on the hanging plate locking, Hand pulling to not loose and can withstand large enough gravity to prevail, advice please electrician to install.
2. The ceiling chandelier in hanging plate with screw locking, hanging chain.
3. The lamp body hanging in the chain, then put the lamp assembly complete rest.
4. Check the lamp is complete, the last on power line, the installation is complete.



solana[®]

FITTING INSTRUCTIONS

Installation instruction

Dear customer, please read the installation instruction before installation.

1. The chandelier or ceiling hanging must use explosive screws fixed, advice please electrician to install.
2. Please install with gloves on. in order to avoid the lamp surface scratched or damaged.
3. Do not mount the lamp in the lime water wet or damp ceiling.
4. The lamp when cleaning, please use the non corrosive. environmentally friendly cleaning agent.

Warning:

Illegal operations, will cause harm, install or repair lamps. please turn off the power switch or insurance so as to avoid the electric shock.

The installation method:

Special remind: before installation, please discount the power supply.

1. The ceiling on detonation screws, and then mounted on the hanging plate locking, Hand pulling to not loose and can withstand large enough gravity to prevail, advice please electrician to install.
2. The ceiling chandelier in hanging plate with screw locking, hanging chain.
3. The lamp body hanging in the chain, then put the lamp assembly complete rest.
4. Check the lamp is complete, the last on power line, the installation is complete.

