



MAGNETIC

TRACK



ENCANTO

48V MAGNETIC TRACK

SYV | MagneticTrack Lights

Product Specifications:

Lamp Type: CITIZEN LED
 Operating Temp.: -20°C ~ +50°C
 Material: High-grade Aluminium
 Finish: Black
 Lifespan: 60,000 Hours
 Warranty: 6 Years
 Applications: Commercial, Retail, Residential, Hospitality



ZOOMABLE
MAGNETIC TRACK

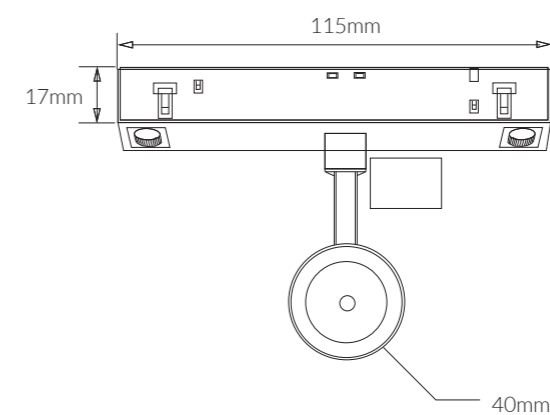
Product Options:

Wattage: 15W
 CCT: 2700K-6000K
 Finish: White
 Control: Switchable/TRIAC/0-10V/Wi-Fi/Bluetooth

	SKU	W	CCT	LM	mA	Beam	Size(mm)	Cut(mm)
Encanto	17388	8W	3000K	480lm	160mA	15° - 36°	Ø155x17x40	-

DC48V IP 20  15°-36° CRI>90 PF>0.9

 SDCM <3  Class III  UGR<19 



Product Specifications:

Lamp Type: CITIZEN LED
 Operating Temp.: -20°C ~ +50°C
 Material: High-grade Aluminium
 Finish: Black
 Lifespan: 60,000 Hours
 Warranty: 6 Years
 Applications: Commercial, Retail, Residential, Hospitality

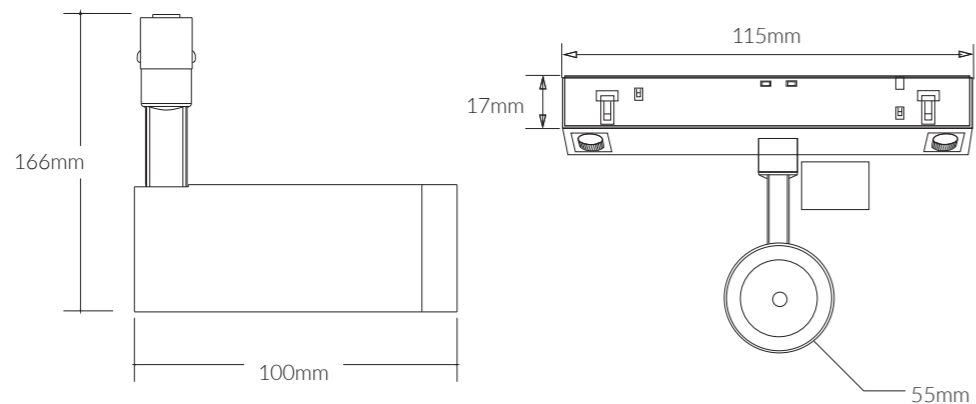


Product Options:

Wattage: 15W
 CCT: 2700K-6000K
 Finish: White
 Beam angle: 15°/24°
 Control: Switchable/TRIAC/0-10V/Wi-Fi/Bluetooth

	SKU	W	CCT	LM	mA	Beam	Size(mm)	Cut(mm)
Encanto	17268	8W	4000K	680lm	160mA	36°	Ø155x17x55	-

DC24V IP 20 CRI>90 PF>0.9 SDCM <3 Class III UGR<19 CE



ENCANTO

24V MAGNETIC TRACK