

## Silva

### Recessed Downlight




### Features

- Best Lumen output efficacy
- Use of high-tech spraying technology, anti-corrosion
- Die cast aluminium body and heat sink designed for effective heat dissipation
- High Light Uniformity
- High value appearance and durability
- 2.5kV Protection
- 90% Energy Saving

 Recessed

 UGR <19

 IP Rating IP44

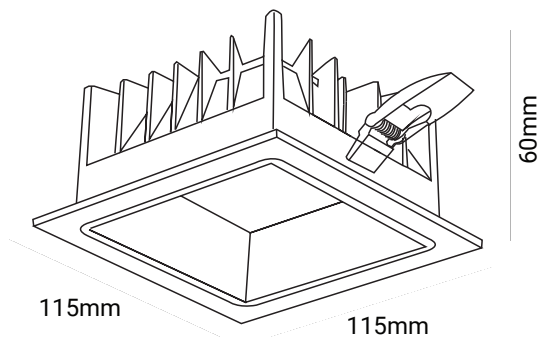
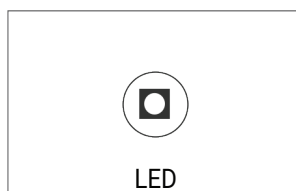
 Standard Warranty

## TECHNICAL DATA SHEET - SILVA - 19188 - RECESSED DOWNLIGHT



### TECHNICAL DATA

<b>Product Data</b>	Recessed Downlight
<b>Lamp Type</b>	BRIDGELUX LED
<b>Wattage</b>	10W
<b>Color Temperature</b>	3000K/4000K/6000K
<b>Rated Luminaire Luminous Flux</b>	850lm/900lm/950lm
<b>Rated Luminaire Efficiency</b>	85~95lm/W
<b>IP Rating</b>	44
<b>Beam Angle</b>	60°
<b>Input Voltage</b>	AC220-240V
<b>Output Voltage</b>	25-40V
<b>Frequency Range</b>	50-60 Hz
<b>CRI</b>	Ra>90
<b>Power Factor</b>	>0.5
<b>Output Current</b>	250mA
<b>Safety Class</b>	Class II
<b>Operating Temperature</b>	-20°C ~ +40°C
<b>SDCM(MacAdam)</b>	< 3
<b>Material</b>	Aluminum body
<b>Finish</b>	White+Mirror Silver
<b>Life Span</b>	60,000 Hours
<b>Warranty</b>	6 Years
<b>Applications</b>	Residential, Commercial, Hospitality etc.



Cutout: 100x100mm

### TECHNICAL OPTIONS

<b>Wattage</b>	20W / 30W / 40W / 50W
<b>Color Temperature</b>	3000K-6000K
<b>Control</b>	Switchable/DALI/1-10V/0-10V/TRIAC