

Estela Recessed Downlight



Features

- Best Lumen output efficacy
- Use of high-tech spraying technology, anti-corrosion
- Die cast aluminium body and heat sink designed for effective heat dissipation
- High Light Uniformity
- High value appearance and durability
- 2.5kV Protection
- 90% Energy Saving

 **Recessed**

 **IP Rating**
IP65

 **UGR**
<19

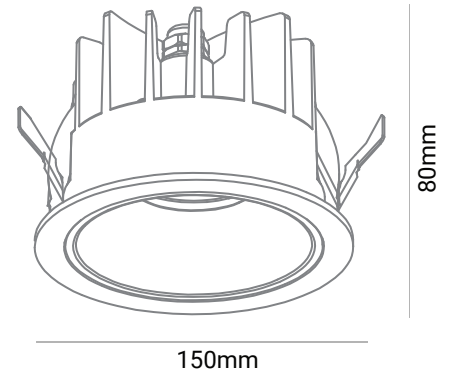
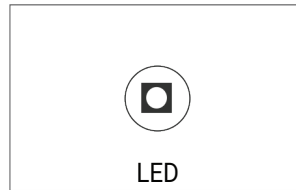
6 years
warranty **Standard Warranty**

TECHNICAL DATA SHEET - ESTELA - 19187 - RECESSED DOWNLIGHT



TECHNICAL DATA

| | |
|--------------------------------------|---|
| Product Data | Recessed Downlight |
| Lamp Type | BRIDGELUX LED |
| Wattage | 30W |
| Color Temperature | 3000K/4000K/6000K |
| Rated Luminaire Luminous Flux | 2550lm/2700lm/2850lm |
| Rated Luminaire Efficiency | 85~95lm/W |
| IP Rating | 65 |
| Beam Angle | 55° |
| Input Voltage | AC220-240V |
| Output Voltage | 25-40V |
| Frequency Range | 50-60 Hz |
| CRI | Ra>90 |
| Power Factor | >0.9 |
| Output Current | 250mA |
| Safety Class | Class II |
| Operating Temperature | -20°C ~ +40°C |
| SDCM(MacAdam) | < 3 |
| Material | Aluminum body |
| Finish | White+Mirror Silver |
| Life Span | 60,000 Hours |
| Warranty | 6 Years |
| Applications | Residential, Commercial, Hospitality etc. |



Cutout: 135mm

TECHNICAL OPTIONS

| | |
|--------------------------|-----------------------------------|
| Wattage | 10W / 15W / 25W / 35W / 40W / 50W |
| Color Temperature | 3000K-6000K |
| Beam Angle | 15°/24°/36° |
| Control | Switchable/DALI/1-10V/0-10V/TRIAC |