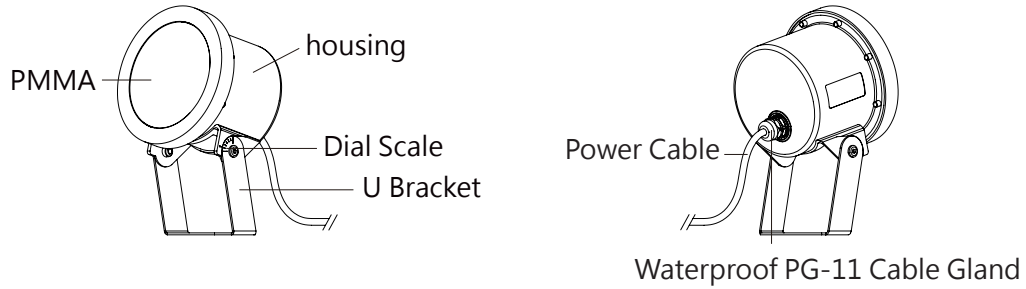
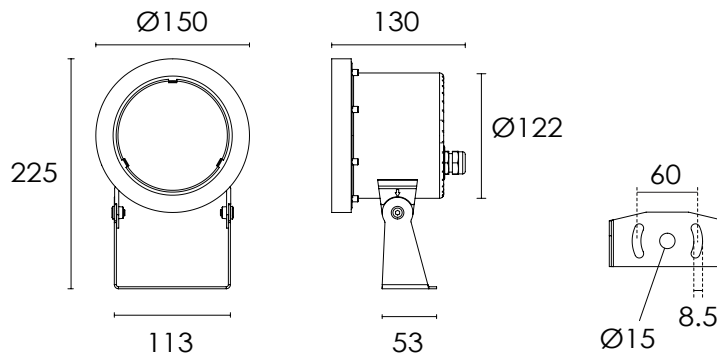


Installation Instructions

1.Exterior details



2.External dimension(mm)



3.Specifications

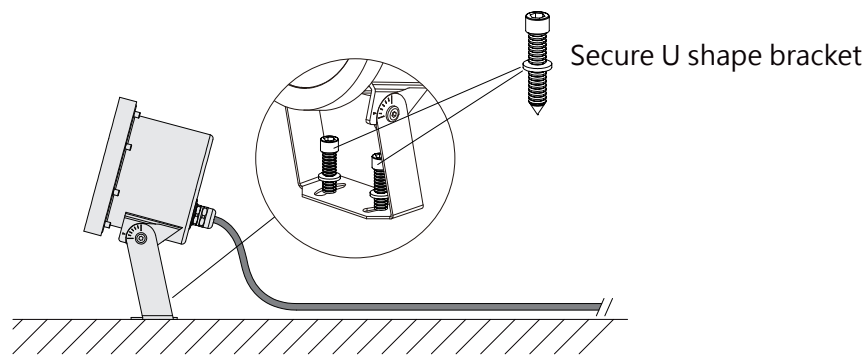
3.1 Material specifications:

Front cover & Housing:	Molding shaped stainless steel 316L#
Light Window:	PMMA 8mm
Gasket:	Silicone gasket
Led:	NICHIA
Cable Gland:	IP68 PG-11 copper with nickel-coated
PCB:	Excellent heat conductivity aluminum.coefficient of heat Conductivity $\geq 2.0w/mk$
LED Driver:	Constant voltage input, constant current output
Power Cable:	H07RN-F 2 \times 1.0mm ² , L=3.0m
Built-in Overheat Sensor System:	Automatic shutdown at 75°C
Application Environment:	Temperature of water between -20°~40°C less than 1 meter depth
Dimmable Support:	Triac PWM 1-10V Dali

3.2 Electrical parameters:

Item.No:	15964
Light source:	12×3W
Lens:	B33D(15°,20°,30°,45°,60°)
Input voltage(v):	24V DC
Typical Oprating current (mA):	1600
Typical Comsumption(w):	38.4
Typical Luminance(lm):	Cool White=3031 Warm white=2668
IK rate:	08

4.Installation steps



5.Wiring diagram

Low voltage single color fitting:use external power supply ,the input voltage of power supply must be consistent with the requested input voltage of the fitting ,as the fitting is constant voltage input type ,The power consumption of power supply must be decided by installer according to the requirements from the site.

Example of wiring:

