

**Product Specifications:**


Lamp Type: OSRAM LED  
 Operating Temp.: -20°C ~ +50°C  
 Material: Aluminium Body+Stainless Steel 316+Tempered Glass  
 Gasket: Glass and housing are silicone sealed  
 Finish: Chrome  
 Lifespan: 50,000 Hrs  
 Warranty: 5 Years  
 Applications: Commercial, Retail, Residential, Hospitality



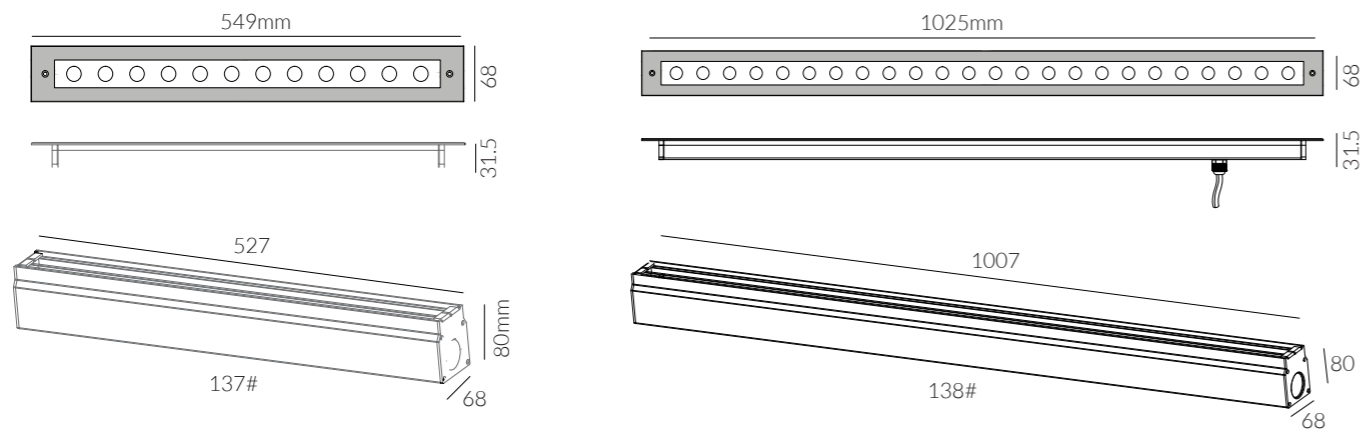
**Product Options:**

Beam Angle: 20° / 25° / 30° / 45°  
 Control: Switchable / TRIAC / 0-10V / 1-10V / DALI / PWM

	SKU	W	CCT	LM	mA	Beam	Size(mm)	Cut(mm)
Luvio	15192	12x1.5W	3000K	1,620lm	910mA	35°	L: 549	-
	15969	12x1.5W	4000K	1,710lm	910mA	35°	L: 549	-
	15970	12x1.5W	6000K	1,800lm	910mA	35°	L: 549	-
	15193	24x1.5W	3000K	3,240lm	1826mA	35°	L: 1025	-
	(DALI) 16831	24x1.5W	4000K	3,420lm	1826mA	12x50°	L: 1025	-
	16373	24x1.5W	6000K	3,600lm	1826mA	35°	L: 1025	-

DC 24V IP 67  CRI>80



LUVIO