

Product Specifications:

Lamp Type: OSRAM LED
 Operating Temp.: -20°C ~ +50°C
 Material: Molding shaped sus 316L# stainless steel housing
 Finish: Chrome
 Gasket: : EPDM gasket
 Excellent heat conductivity aluminum.coefficient of heatConductivity≥2.0w/mk
 Temperature of water between -20°C~+50°C less than 1 meter depth
 Lifespan: 50,000 Hrs
 Warranty: 5 Years
 Applications: Pools, Fountains

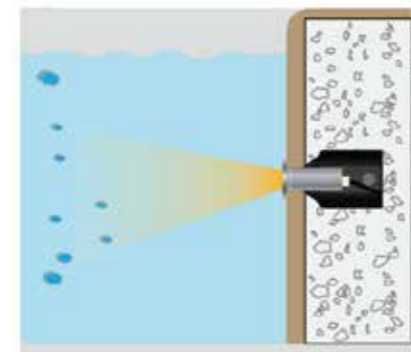
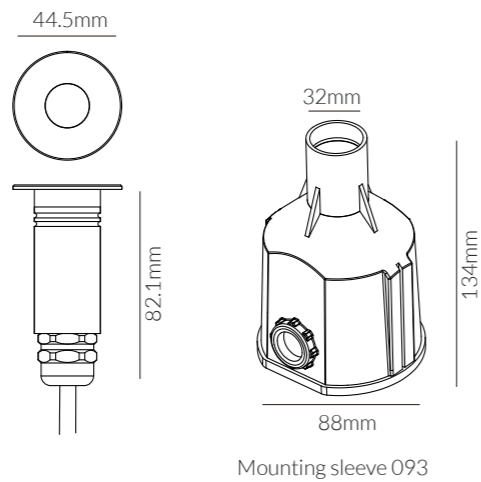


Product Options:

Beam Angle: 10° / 15° / 20°
 CCT: 3000K - 6000K
 Control: Switchable / TRIAC / 0-10V / 1-10V / DALI / PWM
 Accessory: Mounting Sleeve

	SKU	W	CCT	LM	mA	Beam	Size(mm)	Cut(mm)
Ficante	15124	2W	3000K	180lm	87 mA	30°	D: 44.5	-

DC 24V IP 68 CRI>90



- Water must be allowed to go inside and outside sleeve freely without leaking to the other side.
- Warning : Must be installed under the water to prevent the light from being burnt off because of over-heating.



FICANTE