

## Gina

### Flexible LED Chain Light




### Features

- The product uses a stable LED high power water proof module light source for constant voltage without the need to connect the driver.
- Due to the chaintype housing design, the lamp can be fixed to the curved mounting surface according to the demand. This could expand the application range of the product, and increase its cost-effectiveness at same time.

 Surface

 IP Rating  
IP68

 IK Rating  
IK03

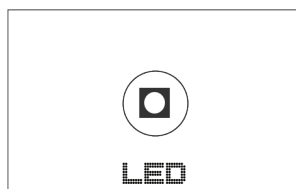
 5 years  
warranty Standard Warranty

## TECHNICAL DATA SHEET - GINA - 19333 - FLEXIBLE LED CHAIN LIGHT



### TECHNICAL DATA

<b>Product Data</b>	Chain light
<b>Lamp Type</b>	Cree LED
<b>LEDs Quantity</b>	6 LEDs/set (max 24Leds)
<b>Wattage</b>	1W/pc
<b>Color Temperature</b>	3000K
<b>Rated Luminaire Efficiency</b>	62lm/W
<b>IP Rating</b>	68
<b>Beam Angle</b>	15°
<b>Voltage</b>	DC24V
<b>Frequency Range</b>	50-60 Hz
<b>CRI</b>	Ra>80
<b>Safety Class</b>	Class III
<b>Storage Temperature</b>	-40°C~+80°C
<b>Working Temperature</b>	-40°C~+55°C
<b>Material</b>	PC Body
<b>Finish</b>	Black
<b>Life Span</b>	50,000 Hours
<b>Warranty</b>	5 Years
<b>Applications</b>	Park, Garden, Scenic area, River channel, etc.

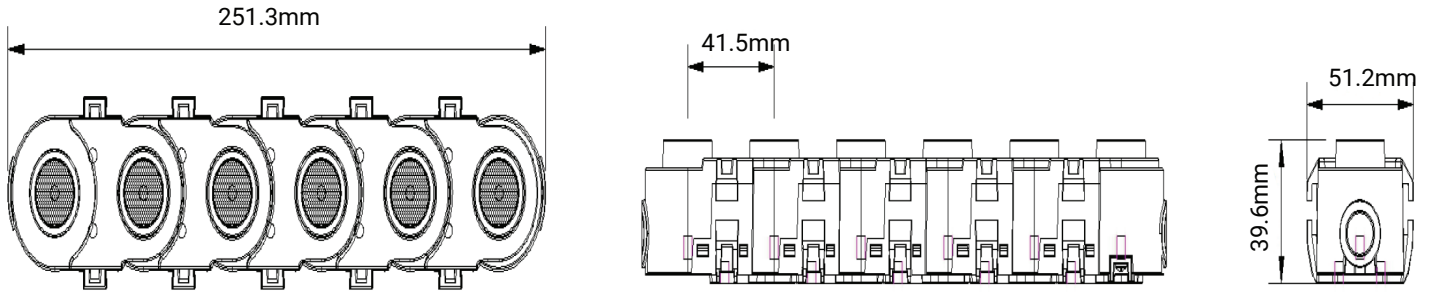


### TECHNICAL OPTIONS

<b>Color Temperature</b>	4000K-6000K
<b>Beam Angle</b>	30°/45°
<b>Control</b>	Switchable, TRIAC, 1-10V, Dali

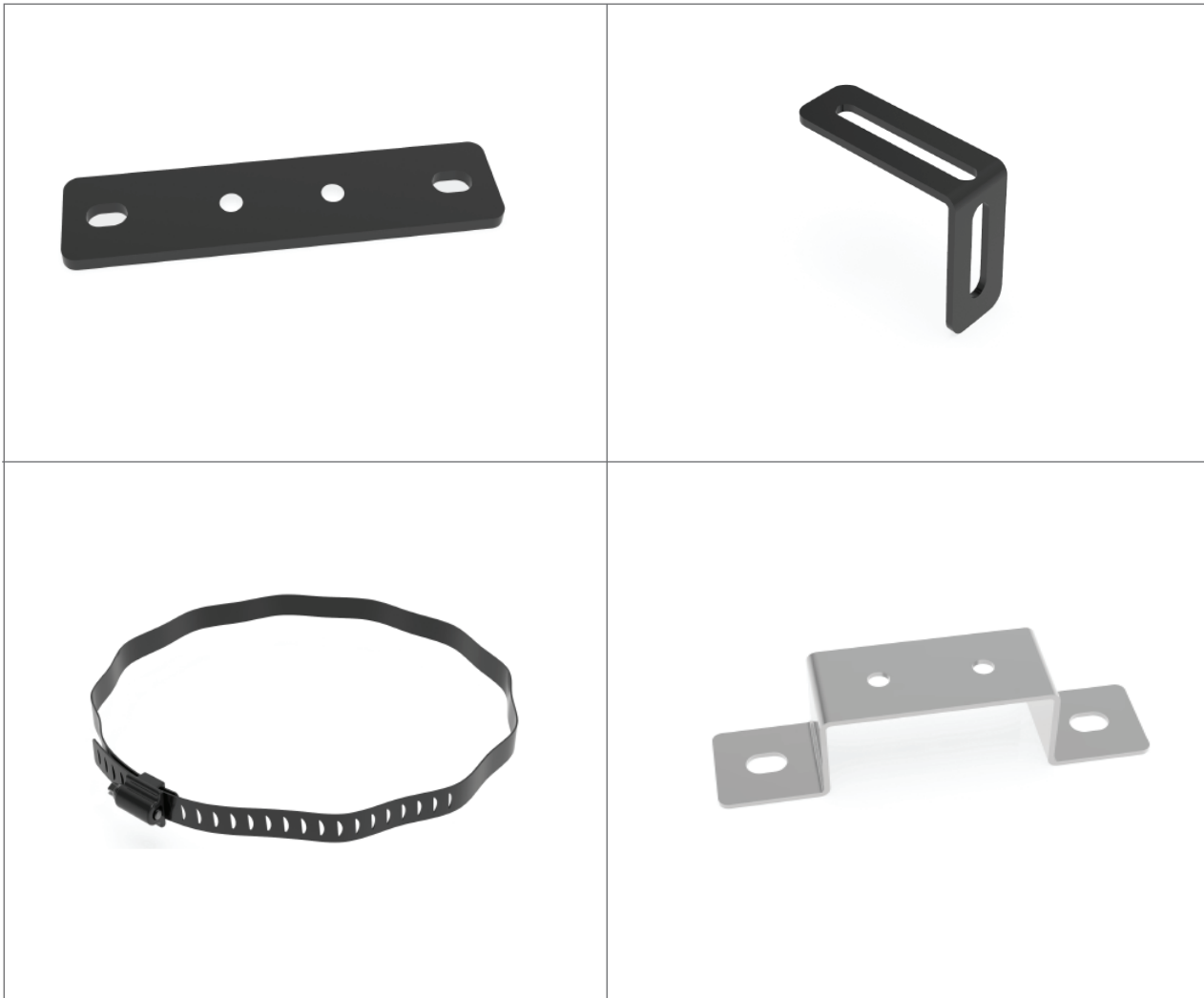
## TECHNICAL DATA SHEET - GINA - 19333 - FLEXIBLE LED CHAIN LIGHT

### DIMENSIONS



Customisable Length upto 1 Mtr (24 Leds/set)

### MOUNTING ACCESSORIES

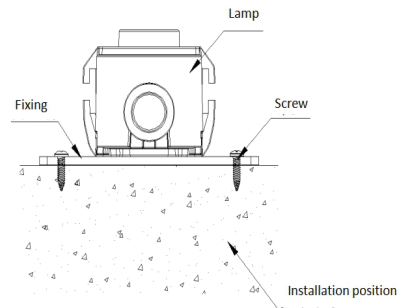


## TECHNICAL DATA SHEET - GINA - 19333 - FLEXIBLE LED CHAIN LIGHT

### INSTALLATION METHOD

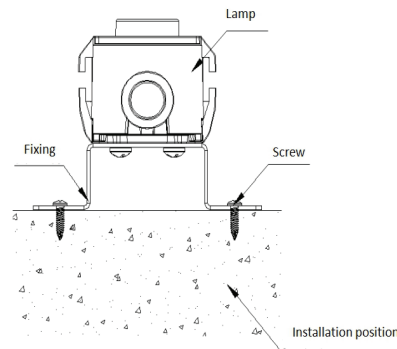
#### •Flat Mounting

- (1) Mount lamp on the installation fixtures
- (2) Mount lamp and fixtures in the corresponding position
- (3) Confirm the number of fixtures based on the length of the lamp



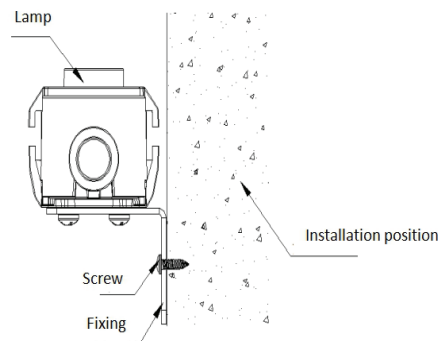
#### •Combine Mounting

- (1) Mount lamp on the wire track by screws
- (2) Mount lamp and fixtures in the corresponding position
- (3) Confirm the number of fixtures based on the length of the lamp



#### •Side Mounting

- (1) Mount lamp on the wire track by screws
- (2) Mount lamp and fixtures in the corresponding position
- (3) Confirm the number of fixtures based on the length of the lamp



#### •Hoop Mounting

- (1) Make clear the connection lamp quantity
- (2) Snap the hoop fittings through the outer layer of the fixture
- (3) Snap in the lock again, adjust the elasticity, to secure

