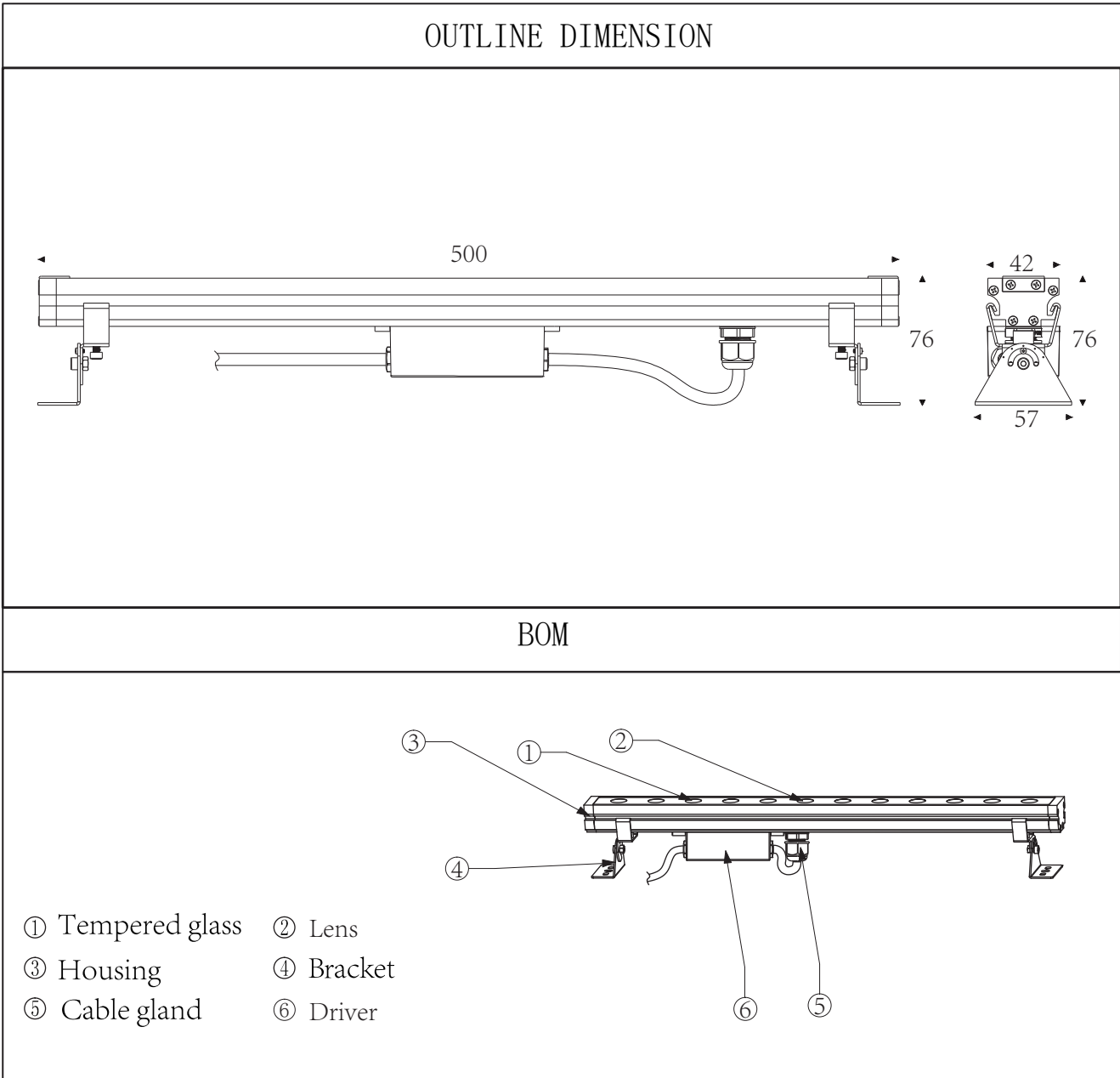


LED WALL WASHER LIGHT



Note: The drawing was show a general introduction to this description.
 When the discrepancy between the actual product and drawing,
 please all to the actual products.

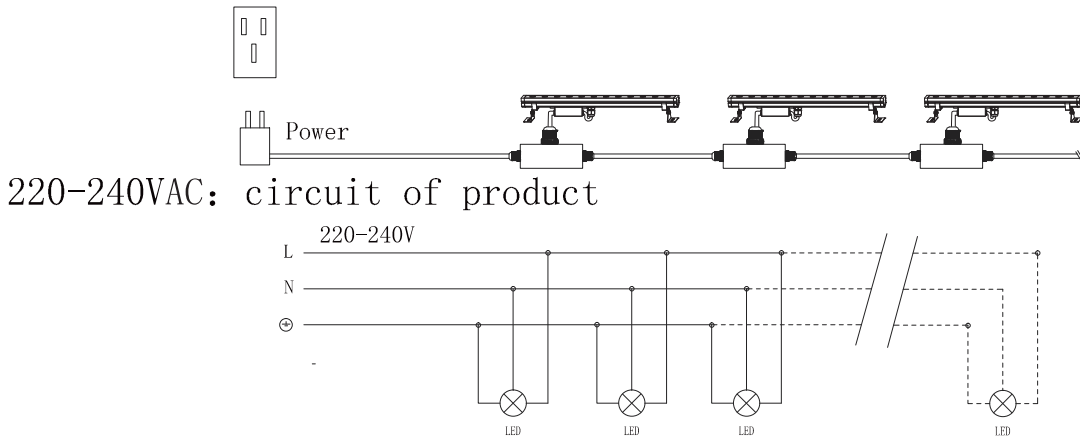
1. FEATURES

- This product is a high power LED wall washer light.
- The standard color temperature of warm white is in range 2700-3200K.
- The standard input voltage is 240VAC. When you install the product, please check the data label on the product and on the wire.
- The main material of this product is aluminum, surface coating is only suitable for natural environment, don't install this product near the sea water or in the environment which is high salty or high acid.
- This is IP65 grade product, don't put fixture into water.
- Applicable environment temperature: $-20^{\circ}\text{C} < \text{fixture} < +40^{\circ}\text{C}$

2. WIRING DIAGRAM

2.1 High voltage single color fitting: refer to the following recommended wiring method.

Example of wiring:



3. SPECIFICATIONS

3.1. Material specifications:

Housing:	Extruded aluminum, powder coated
Glass:	Tempered glass. T=4mm
Bracket:	Stainless steel SUS 316# T=1.5mm
Lens:	Optical lens, efficiency $\geq 85\%$
Cable gland:	IP-68 PG-9 PVC
Gasket:	Glass and housing are silicone sealed
LED:	NICHIA LED
Operating temperature:	$-20^{\circ}\text{C} \sim 50^{\circ}\text{C}$
Power cable:	H05RN-F $3 \times 1.0\text{mm}^2$ L=0.5M (high voltage)

3.2. Electrical parameters:

Item NO.	Light source	Degree(°)	Length L (mm)	Input voltage (v)	Typical operating current (mA)	Typical consumption (W)	Typical luminance (lm)	IK rate
	12×1W Single color	20	500	240	66	15	864	02