

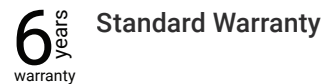
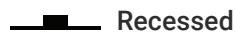
Melia

Recessed tiltable spotlight



Features

- Best Lumen output efficacy
- Use of high-tech spraying technology, anti-corrosion
- Die cast aluminium body and heat sink designed for effective heat dissipation
- High Light Uniformity
- High value appearance and durability
- 2.5kV Protection
- 90% Energy Saving

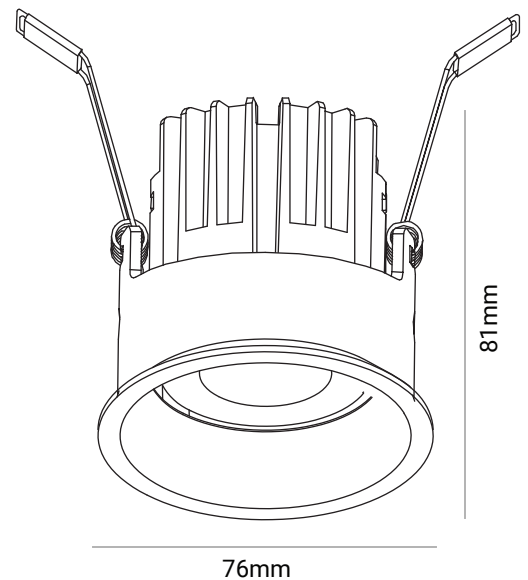
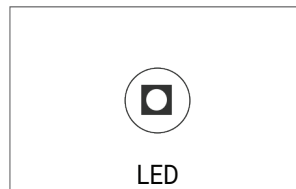


TECHNICAL DATA SHEET - MELIA - 19179 - RECESSED TILTABLE SPOTLIGHT



TECHNICAL DATA

Product Data	Recessed spotlight
Lamp Type	BRIDGELUX LED
Wattage	8W
Color Temperature	3000K/4000K/6000K
Rated Luminaire Luminous Flux	520lm/560lm/600lm
Rated Luminaire Efficiency	65~75lm/W
IP Rating	44
Beam Angle	24°
Input Voltage	AC220-240V
Output Voltage	25-40V
Frequency Range	50-60 Hz
CRI	Ra>90
Power Factor	>0.5
Output Current	250mA
Safety Class	Class II
Operating Temperature	-20°C ~ +40°C
SDCM(MacAdam)	< 3
Material	Die Cast Aluminum
Finish	Black
Life Span	60,000 Hours
Warranty	6 Years
Applications	Residential, Commercial, Hospitality etc.



Cutout: 70mm

TECHNICAL OPTIONS

Wattage	10W
Color Temperature	3000K-6000K
Beam Angle	15°/36°
Control	Switchable/DALI/1-10V/0-10V/TRIAC