

Teo

Flood/Spike light




Features

- Housing: CNC 6063# aluminum ,Matt silver/black anodized Finish or powder coated
- Lens: Optical lens , efficiency>85%.
- Glass Cover: Tempered glass. T= 4mm
- Base: Aluminum
- Spike: ABS
- Mounting Type: U bracket&mounting plate for solid ground,spike for soft ground

 Spike

 IK Rating
IK08

 IP Rating
IP66

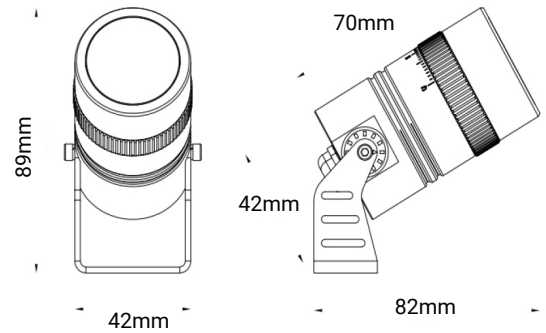
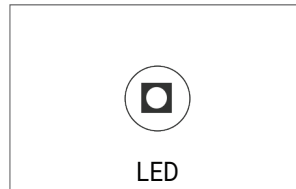
 5 years
warranty Standard Warranty

TECHNICAL DATA SHEET - TEO - 19162 - FLOOD/SPIKE LIGHT



TECHNICAL DATA

Product Data	Spike Light
Lamp Type	CREE LED
Wattage	3W
Color Temperature	3000K
Rated Luminaire Luminous Flux	240lm
Rated Luminaire Efficiency	80lm/W
IP Rating	66
Beam Angle	10°-45° (Adjustable)
Input Voltage	AC110-240V
Output Voltage	3-4V
Frequency Range	50-60 Hz
CRI	Ra>80
Power Factor	0.9
Operating Temperature	-20°C ~ +50°C
Material	6063 Aluminium Body
Diffuser	Tempered Glass
Finish	Matt Black
Lifespan	50,000 Hours
Warranty	5 Years
Applications	Outdoors, Gardens, etc.



TECHNICAL OPTIONS

Wattage	4W - 15W
Color Temperature	4000K-6000K
Control	Switchable, TRIAC, 1-10V, DALI,0-10V