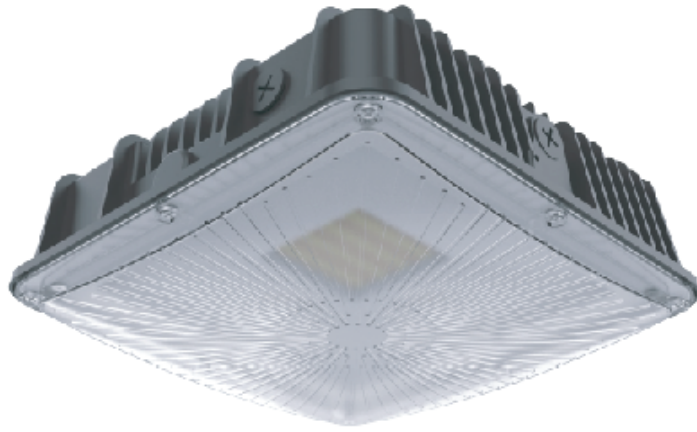


Arrlo Canopy Light



Features

- CCT and wattage tunable available
- Microwave motion, photocell sensor / Emergency battery backup optional
- Unique design, strong extruded lamp body



Wall



IK Rating
IK08



IP Rating
IP65

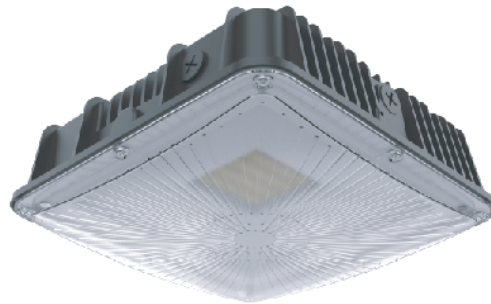


Standard Warranty



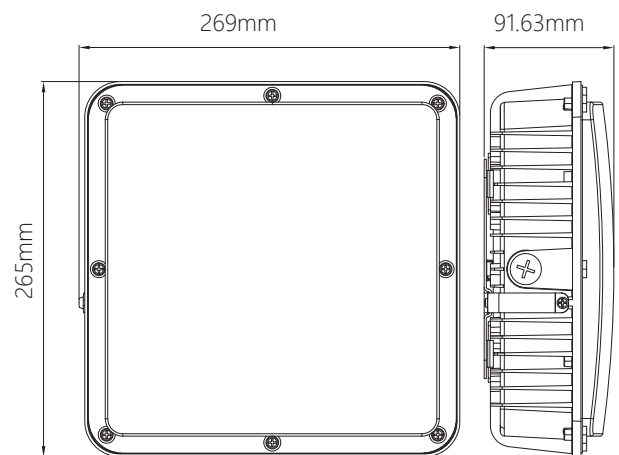
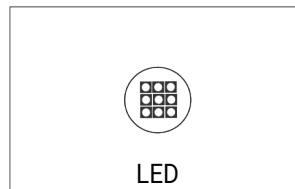
0-10V Dimmable

TECHNICAL DATA SHEET - ARRLO - 19166 - CANOPY LIGHT



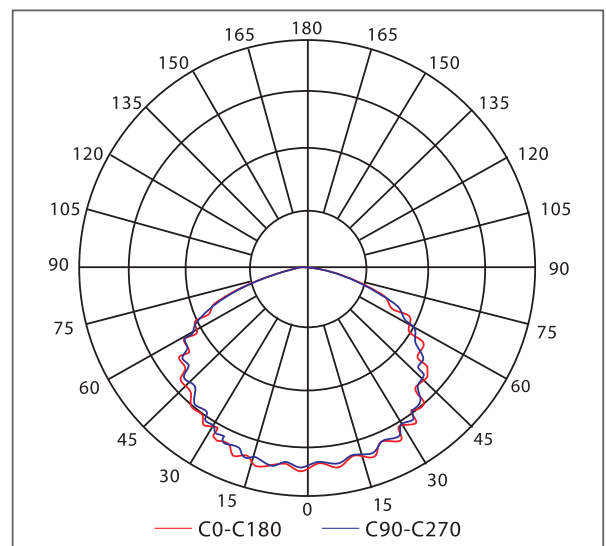
TECHNICAL DATA

Product Data	Canopy Light
Lamp Type	Lumileds
Wattage	75/60/50/40W (Tunable)
Color Temperature	3000K/4000K/5000K (Tunable)
Rated Luminaire Efficiency	130lm/W
IP Rating	65
Beam Angle	135°
Voltage	AC120-277V
Frequency Range	50-60 Hz
Power Efficiency	>90%
Total Harmonic Distortion	<15%
CRI	Ra>80
Power Factor	>0.9
Safety Class	Class II
Operating Temperature	-40°C ~ +40°C
Material	Die-cast Aluminum
Finish	Black
Life Span	50,000 Hours(Ta=30°C@L80)
Warranty	5 Years
Applications	Warehouse, Industrial, etc.



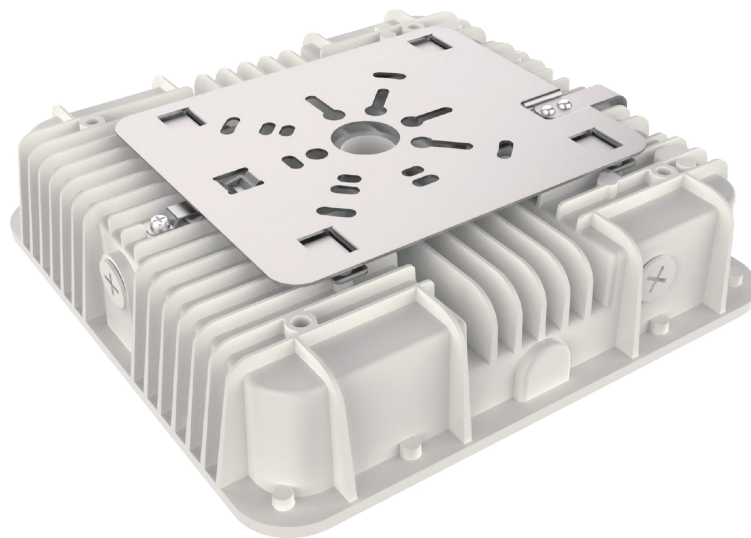
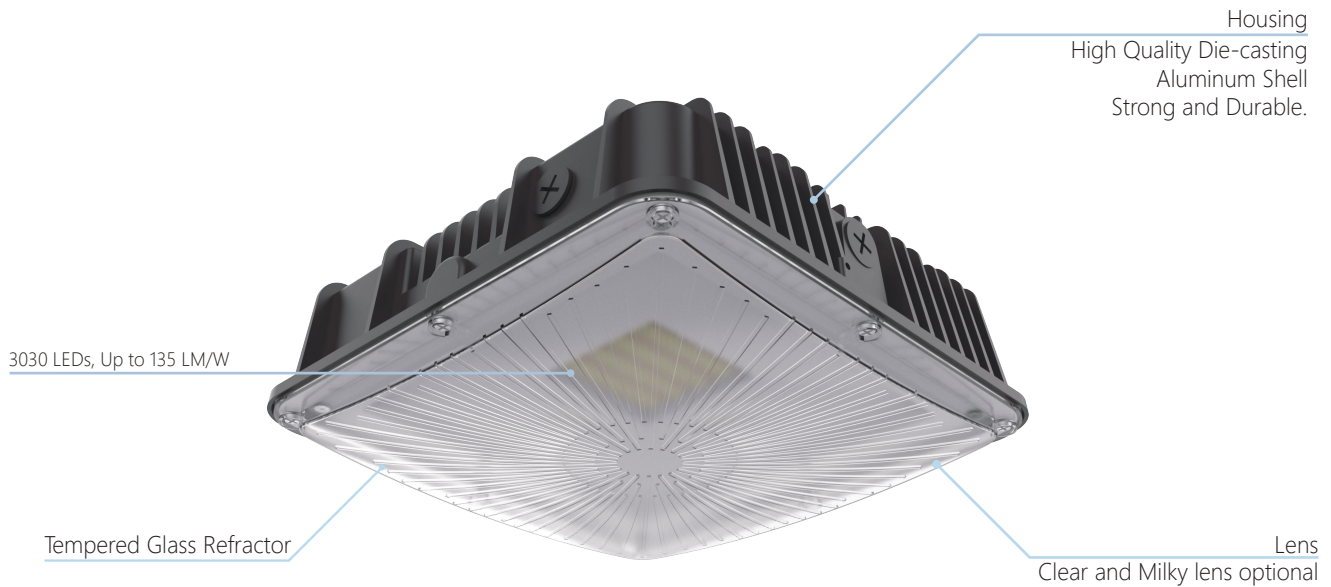
TECHNICAL OPTIONS

Wattage	40/35/30/25W
Finish	Bronze/White Customized (Optional)
Control	Switchable, TRIAC, 1-10V, DALI, 0-10V
Optional	Microwave sensor, photocell sensor / Emergency battery backup



TECHNICAL DATA SHEET - ARRLO - 19166 - CANOPY LIGHT

FEATURES



Accessories

