

MINI WALL PACK LIGHT INSTALLATION INSTRUCTIONS

IMPORTANT

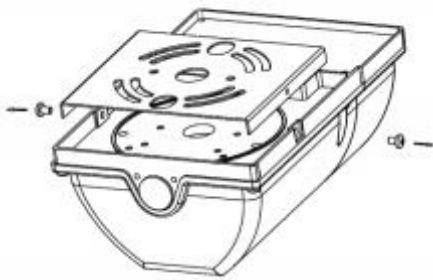
READ CAREFULLY BEFORE INSTALLING FIXTURE. RETAIN THESE INSTRUCTIONS FOR FUTURE REFERENCE.

Fixtures must be wired in accordance with the National Electrical Code and all applicable local codes. Proper grounding is required for safety. THIS PRODUCT MUST BE INSTALLED IN ACCORDANCE WITH THE APPLICABLE INSTALLATION CODE BY A PERSON

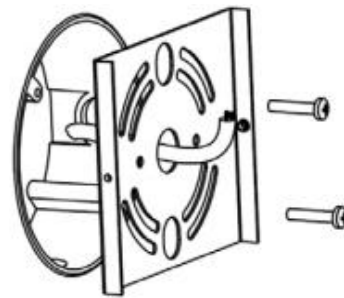
FAMILIAR WITH THE CONSTRUCTION AND OPERATION OF THE PRODUCT AND THE HAZARDS INVOLVED.

WARNING: Make certain power is OFF before installing or maintaining fixture. No user serviceable parts inside.

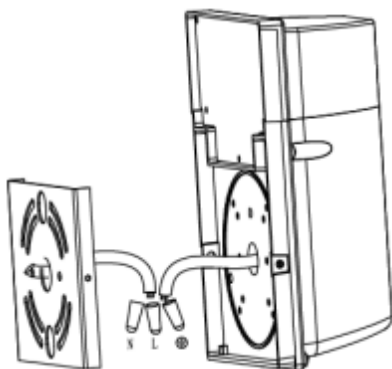
FIXTURE MOUNTING



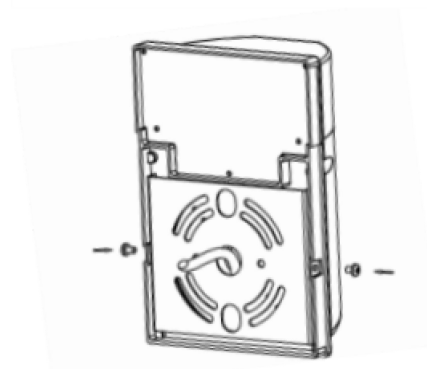
1. Loose screws to take the quick installation plate apart.



2. Fix the quick installation plate to wall.



3. Connect incoming and outgoing wire.



4. Install the fixture body to quick installation plate and tight the screws.

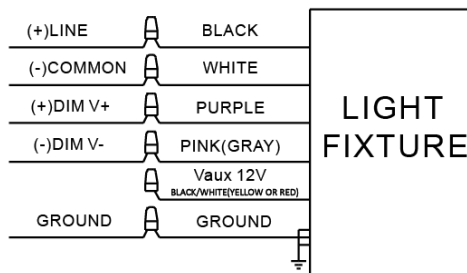
MINI WALL PACK LIGHT INSTALLATION INSTRUCTIONS

WIRING

WARNING: Before Wring, Make certain the input voltage is correct!

1. Connect the black fixture lead to the (+) LINE supply lead.
2. Connect the white fixture lead to the (-) COMMON supply lead.
3. Connect the GROUND wire from fixture to supply ground

0-10V DIMMABLE WIRING



4. Connect the purple fixture lead to the (V+) DIM lead.
5. Connect the Pink(Gray) fixture lead to the (V-) DIM lead.
6. Cap the Vaux 12V fixture lead, if present. Do NOT connect.

TROUBLESHOOTING

1. Check that the line voltage at fixture is correct. Refer to wiring directions.
2. Is the fixture grounded properly?

CLEANING&MAINTENANCE

CAUTION: Be sure fixture temperature is cool enough to Touch. Do not clean or maintain while fixture is Energized.

1. Clean lens & fixture with non-abrasive glass cleaning solution.
2. Do not open fixture to clean the LED. Do not touch the LED

Note: These instructions do not cover all details or variations in equipment nor do they provide for every possible situation during installation operation or maintenance.

MINI WALL PACK LIGHT INSTALLATION INSTRUCTIONS

WATTAGE&CCT ADJUSTABLE SWITCH SETTING

(Only for the Models with Power and CCT adjustable functions)

