

Olga

Surface Mounted Magnetic Adjustable Track



Features

- Anti-glare design
- Exquisite structure, high-grade appearance
- Low voltage operation to ensure electric shock safety
- High efficacy, high illuminance
- DC24V Safely Input Voltage



Surface Mounted
Magnetic Track



UGR
<13



IP Rating
IP20

6
years
warranty

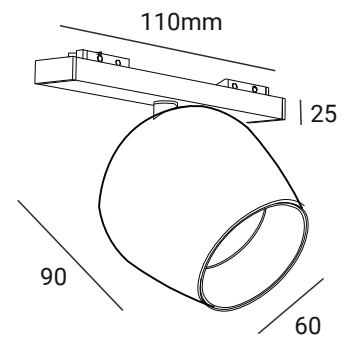
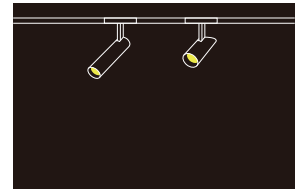
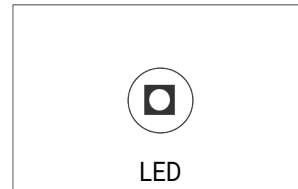
Standard Warranty

TECHNICAL DATA SHEET - OLGA - 18984 - SURFACE MOUNTED MAGNETIC ADJUSTABLE TRACK



TECHNICAL DATA

Product Data	Magnetic Track Light
Lamp Type	BRIDGELUX LED
Wattage	7W
Color Temperature	3000K
Rated Luminaire Luminous Flux	490lm
Rated Luminaire Efficiency	70lm/W
IP Rating	20
Beam Angle	36°
Voltage	DC24V
Frequency Range	50-60 Hz
CRI	Ra>90
Power Factor	>0.9
Operating Temperature	-20°C ~ +45°C
Output Current	290mA
Material	Die cast aluminum body
Finish	Black
Life Span	60,000 Hours
Warranty	6 Years
Applications	Residential, Commercial, Hospitality etc.



TECHNICAL OPTIONS

Color Temperature	4000K, 6000K
Beam Angle	15° / 24°
Finish	White / Silver / Gold
Control	Switchable/TRIAC/0-10V/Wi-Fi/Bluetooth