

## Elio

### Surface Mounted Magnetic Track



#### Features

- Anti-glare design
- Exquisite structure, high-grade appearance
- Low voltage operation to ensure electric shock safety
- High efficacy, high illuminance
- DC24V Safely Input Voltage



Surface Mounted  
Magnetic Track



UGR  
<13



IP Rating  
IP20

6  
years  
warranty

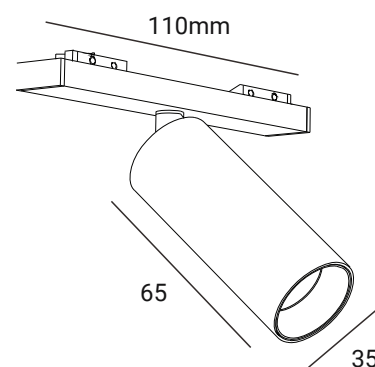
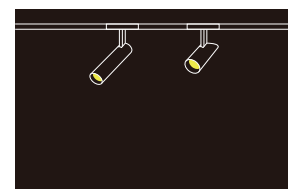
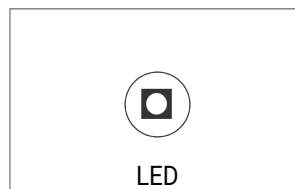
Standard Warranty

## TECHNICAL DATA SHEET - ELIO - 18979 - SURFACE MOUNTED MAGNETIC TRACK



### TECHNICAL DATA

<b>Product Data</b>	Magnetic Track Light
<b>Lamp Type</b>	BRIDGELUX LED
<b>Wattage</b>	7W
<b>Color Temperature</b>	3000K
<b>Rated Luminaire Luminous Flux</b>	490lm
<b>Rated Luminaire Efficiency</b>	70lm/W
<b>IP Rating</b>	20
<b>Beam Angle</b>	36°
<b>Voltage</b>	DC24V
<b>Frequency Range</b>	50-60 Hz
<b>CRI</b>	Ra>90
<b>Power Factor</b>	>0.9
<b>Operating Temperature</b>	-20°C ~ +45°C
<b>Output Current</b>	290mA
<b>Material</b>	Die cast aluminum body
<b>Finish</b>	Black
<b>Life Span</b>	60,000 Hours
<b>Warranty</b>	6 Years
<b>Applications</b>	Residential, Commercial, Hospitality etc.



### TECHNICAL OPTIONS

<b>Wattage</b>	5W / 9W / 12W
<b>Color Temperature</b>	4000K, 6000K
<b>Beam Angle</b>	15° / 24°
<b>Finish</b>	White
<b>Control</b>	Switchable/TRIAC/0-10V/Wi-Fi/Bluetooth