


Almora

Ceiling light
(CCT Changeable)




Features

- Almora adopts high lumen LED, high light transmission with even light output
- It is competitive in quality and price with energy saving more than 75%-90%
- High efficiency and low energy consumption.

 Surface

 **IK Rating**
IK08

 **IP Rating**
IP65

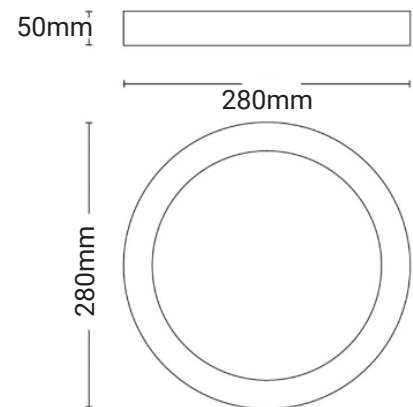
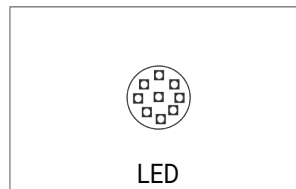
 **5 years**
warranty **Standard Warranty**

TECHNICAL DATA SHEET - ALMORA - 18888 - CEILING LIGHT



TECHNICAL DATA

Product Data	Ceiling light
Lamp Type	EPISTAR LED
Wattage	30W
Color Temperature	3000K/4000K/6000K
Rated Luminaire Luminous Flux	3000lm/3150lm/3300lm
Rated Luminaire Efficiency	100/105/110lm/W
IP Rating	65
Beam Angle	120°
Output Voltage	AC180-240V
Frequency Range	50-60 Hz
CRI	Ra>80
Power Factor	>0.6
Safety Class	Class II
Output Current	256mA
SDCM	<7
Operating Temperature	-20°C ~ +50°C
Material	ABS
Finish	Black
Life Span	50,000 Hours
Warranty	5 Years
Applications	Residential, Commercial, Hospitality etc.



TECHNICAL OPTIONS

Wattage	40W / 50W
Finish	White / Gold / Wood
Control	Switchable, DALI, TRIAC, 0-10V