

## Aloria Wall Light



### Features

- Aloria Concrete Exterior LED Wall Light offers an aesthetic lighting solution to illuminate outdoor facades and features.
- Its concrete build produces a white sandstone textured finish to suit a range of requirements.
- Casting light upwards and downwards, the wall light creates a lighting display ideal for accenting exterior facades.



Wall



**IK Rating**  
IK05



**IP Rating**  
IP65

**5** years  
warranty

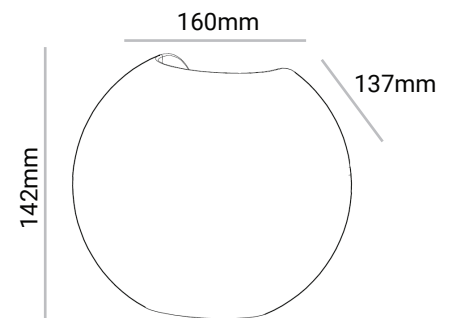
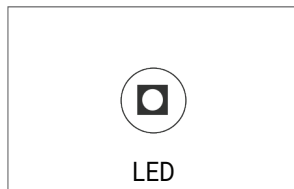
**Standard Warranty**

## TECHNICAL DATA SHEET - ALORIA - 18874 - WALL LIGHT

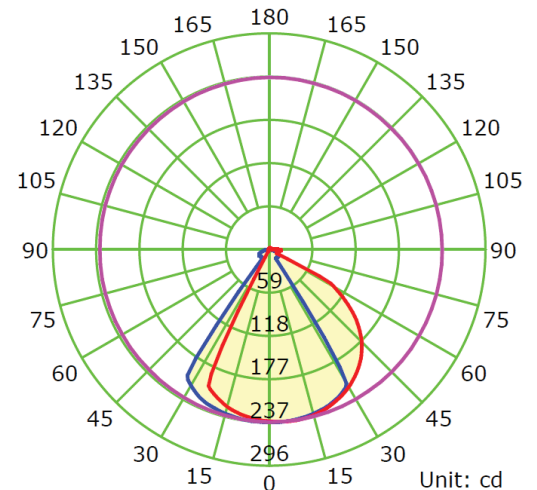


### TECHNICAL DATA

<b>Product Data</b>	Wall light
<b>Lamp Type</b>	PHILIPS LED
<b>Wattage</b>	13W
<b>Color Temperature</b>	3000K
<b>Rated Luminaire Luminous Flux</b>	1170lm
<b>Rated Luminaire Efficiency</b>	90lm/W
<b>IP Rating</b>	65
<b>Beam Angle</b>	72°
<b>Voltage</b>	AC220-240V
<b>Frequency Range</b>	50-60 Hz
<b>CRI</b>	Ra>80
<b>Power Factor</b>	>0.9
<b>Output Voltage</b>	DC36V
<b>Output Current</b>	300mA
<b>IK Rating</b>	05
<b>Safety Class</b>	Class I
<b>SDCM (MacAdam)</b>	<3
<b>Working Temperature</b>	-20°C ~+50°C
<b>Material</b>	Concrete body
<b>Finish</b>	White sandstone
<b>Life Span</b>	50,000 Hours
<b>Warranty</b>	5 Years
<b>Applications</b>	Outdoors, Residential, Commercial, Hospitality etc.



Luminous Intensity Distribution Curve



— C0-C180 — C90-C270 — G6

### TECHNICAL OPTIONS

<b>Color Temperature</b>	3000K-6500K
<b>Finish</b>	Black
<b>Control</b>	Switchable, TRIAC, DALI, 1-10V, 0-10V