

Kevin

Spike light with honeycomb louvre




Features

- Kevin is a medium sized spike mounted exterior spotlight.
- It is a garden light fitting ideal for highlighting landscape features such a trees, pergolas or statues or foliage with a beam of directed light.
- Mounted on a spike, it can be repositioned in the earth as the planting grows and changes between seasons.
- The light is shielded within the fitting to precisely direct the light minimising glare.

 Spike

 IP Rating
IP66

 IK Rating
IK08

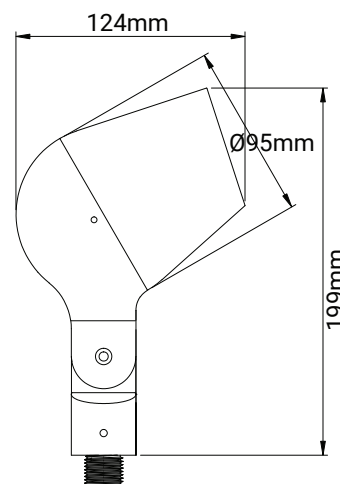
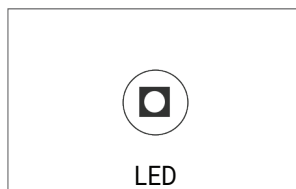
 5 years
warranty Standard Warranty

TECHNICAL DATA SHEET - KEVIN - 18759 - SPIKE LIGHT



TECHNICAL DATA

Product Data	Spike Light
Lamp Type	BRIDGELUX LED
Wattage	12W
Color Temperature	3000K
Rated Luminaire Flux	1,200lm
Rated Luminaire Efficiency	100lm/W
IP Rating	66
Beam Angle	30°
Voltage	AC220-240V
Frequency Range	50-60 Hz
Output Current	250mA
CRI	Ra>80
Power Factor	>0.90
Operating Temperature	-20°C ~ +50°C
Humidity	20%-90%RH
Material	Die cast aluminium body with honeycomb louvre
Finish	Dark Brown
Lifespan	50,000 Hours
Warranty	5 Years
Applications	Outdoors, Gardens, etc.



TECHNICAL OPTIONS

Wattage	10W / 20W / 30W / 40W / 60W
Color Temperature	4000K, 6000K
Beam Angle	15°/18°/36°/60°
Mounting	Pole Coupler, Candlestick Mount, Tree Mount
Control	Switchable, TRIAC, 1-10V, DALI,0-10V