

## Ewo Flood light



### Features

- PET reflector for high lumen efficacy of 135lm/w
- Comfortable lighting effect and effectively glare control by adopting newly designed frosted diffuser
- Optional to equip with infrared sensor for intelligent power saving
- Equipped with 10KV SPD for better protection under extreme power condition



Flood



IP Rating  
IP66



IK Rating  
IK08



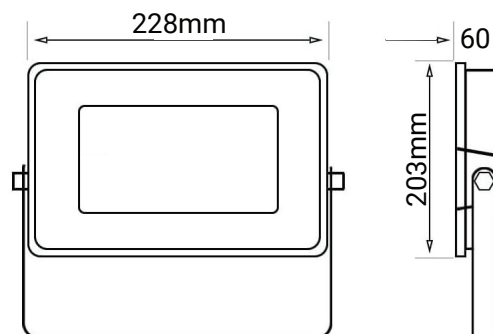
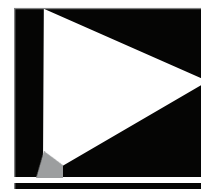
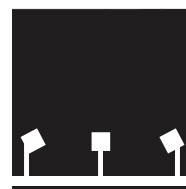
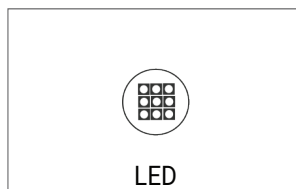
Standard Warranty

## TECHNICAL DATA SHEET - EWO - 18451 - FLOOD LIGHT



### TECHNICAL DATA

<b>Product Data</b>	Flood Light
<b>Lamp Type</b>	LUMILED's
<b>Wattage</b>	50W
<b>Color Temperature</b>	6000K
<b>Rated Luminaire Luminous Flux</b>	6,750lm
<b>Rated Luminaire Efficiency</b>	135lm/W
<b>IP Rating</b>	66
<b>Beam Angle</b>	120°
<b>Voltage</b>	AC220-240V
<b>Frequency Range</b>	50-60 Hz
<b>CRI</b>	Ra>70
<b>Power Factor</b>	>0.95
<b>SDCM</b>	<5
<b>IK Rating</b>	08
<b>Operating Temperature</b>	-45 °C to +45 °C
<b>Surge</b>	6KV
<b>Safety Class</b>	Class I
<b>Material</b>	Die cast aluminium body
<b>Lens</b>	Tempered glass
<b>Finish</b>	Black
<b>Life Span</b>	50,000 Hours
<b>Warranty</b>	5 Years
<b>Applications</b>	Outdoors, Commercial, Hospitality etc.



### TECHNICAL OPTIONS

<b>Wattage</b>	80W/100W/150W
<b>Color Temperature</b>	3000K - 6000K
<b>Control</b>	Switchable, TRIAC, 1-10V, DALI
<b>Installation</b>	U bracket Mount, Trunion, Slip Fitter, Knuckle