

Astria Inground Light



Features

- Reduced Glare: Sunken light source
- Cut out: D40mm (for deck mounting)
- Finish: Satin 316 Stainless Steel
- Voltage: 18V DC with 2M of power cable



Recessed



IK Rating
IK05



IP Rating
IP67



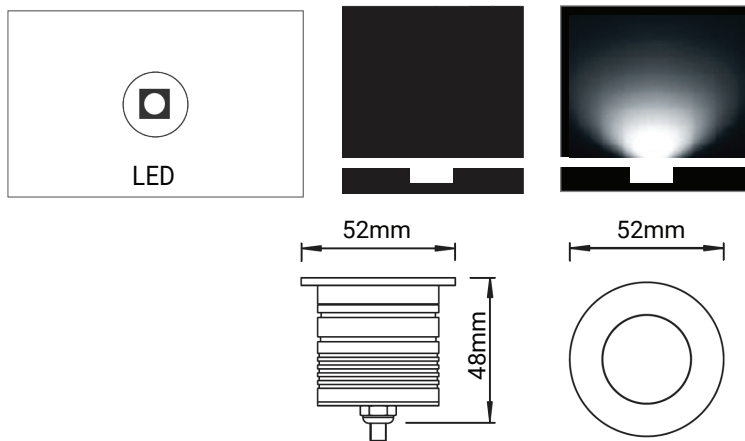
Standard Warranty

TECHNICAL DATA SHEET - ASTRIA - 18102 - INGROUND LIGHT



TECHNICAL DATA

Product Data	Inground light
Lamp Type	Cree LED
Wattage	3W
Color Temperature	3000K
Rated Luminaire Luminous Flux	270lm
Rated Luminaire Efficiency	90lm/W
IP Rating	67
Beam Angle	15°
Voltage	DC3~4V
Frequency Range	50-60 Hz
CRI	Ra>80
Power Factor	>0.9
Input Current	700mA
Working Temperature	-20°C~50°C
Safety Class	Class I
IK Rating	05
Load capacity	300~500 kilos
Material	Stainless Steel
Finish	Satin 316 Stainless Steel
Life Span	50,000 Hours
Warranty	5 Years
Applications	Outdoors, Residential, Commercial, Hospitality etc.



Cutout: 40mm

TECHNICAL OPTIONS

Color Temperature	3000K-6000K
Beam Angle	10°/21°/36°
Finish	Matt Black
Control	Switchable, TRIAC, 1-10V, Dali / DMX / PWM