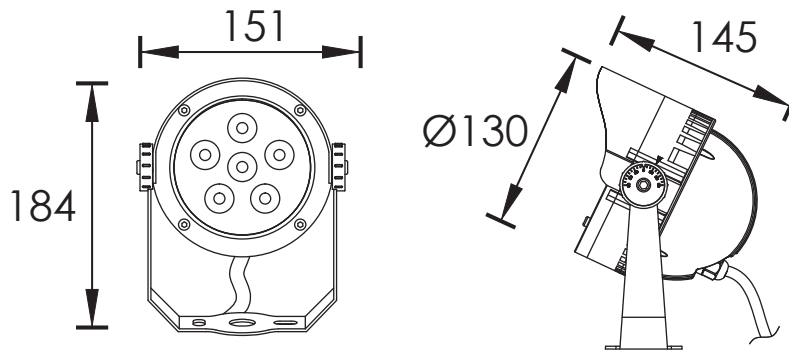


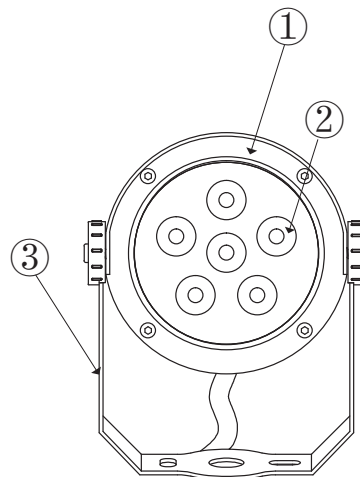
## User Manual

### 1.OUTLINE DIMENSION

Unit: mm



### 2.EXTERIOR COMPONENTS DESCRIPTION



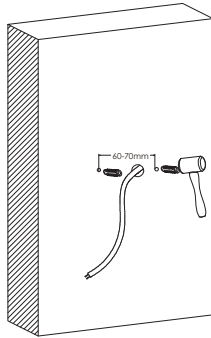
- ① Front cover
- ② Optical lens
- ③ Bracket

Note: The drawing was show a general introduction to this description.  
When the discrepancy between the actual product and drawing,  
please all to the actual products.

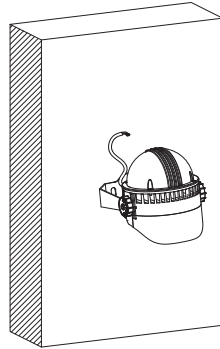
### 3.FEATURES

- This product is a high power LED spot light.
- The standard color temperature of warm white is in range 2700-3200k.
- The standard input voltage is 220-240VAC. When you install the product please check the data label on the product and the wire.
- When installation, always work with technician or install by technician.
- The main material of this product is aluminum, surface coating is only suitable for natural environment. don' t install this product near the sea water or in the environment which is high salt or high acid.
- This is a IP65 grade product, don' t put fixture into water.
- Applicable environment temperature: -20°C ~ +40°C

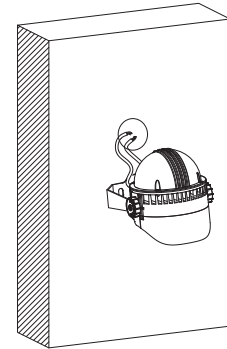
## 4.INSTALLATION



Drill two holes on the wall where the lamps will be installed; Install the rubber plugs into the two holes respectively with a hammer



Fix the bracket on the wall with two stainless steel screws, and ensure that the power cord passes through the middle of the bracket

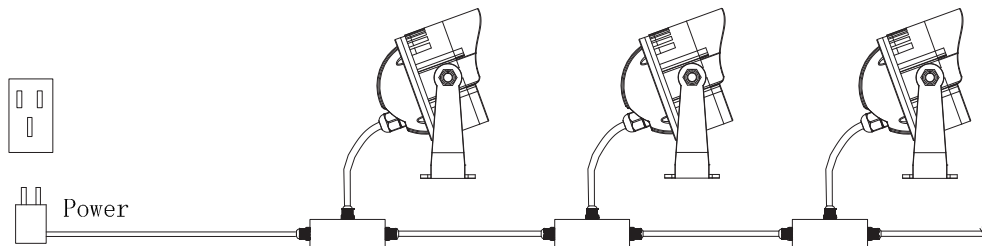


Connect the wires and the lamps

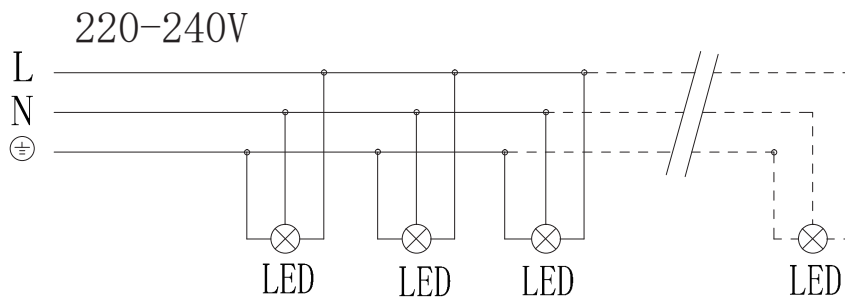
## 5.WIRING DIAGRAM

5.1:High voltage single color fitting:refer to the following recommended wiring method.

Example of wiring:



220-240VAC:circiut of product.



## 6.SPECIFICATIONS

### 6.1 Material specifications:

Housing: 12#Die-casting dark grey powder coated aluminum.  
T=60-80um. Adhesion of ISO class 1/ASTM class 4B  
Bracket: Powder coated aluminum  
Glass: Tempered glass. T=4mm  
Lens: Optical lens. efficiency  $\geq 85\%$   
Power cable: H05RN-F3  $\times$  1.0mm<sup>2</sup> L=2m (high voltage)  
Cable gland: IP68 PG-9 PA66

### 6.2 Electrical parameters:

Item No.	Light source	lens	Degree(° )	Input voltage(v)	Typical oprating current (mA)	Typical consumption (W)	Typical luminance (lm)	IK rate
17746	6×2W Single Color	FB06	20	240VAC	57	12.6	1046	08