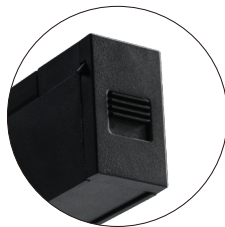


Orza Magnetic Track Light



Safety buckle,
double insurance



Features

- High Ra<90, Low SDCM<3
High efficacy, high illuminance
- Glare-free design, perfect light spot and accurate beam angle, make surroundings of comfortable illumination
- Refined components and design, guarantee a long life span
- Rotatable horizontal 355° and vertical 90°



Track

Colour Rendering Index
90



IP Rating
IP20

6 years
warranty

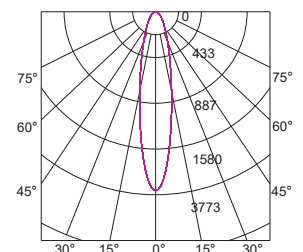
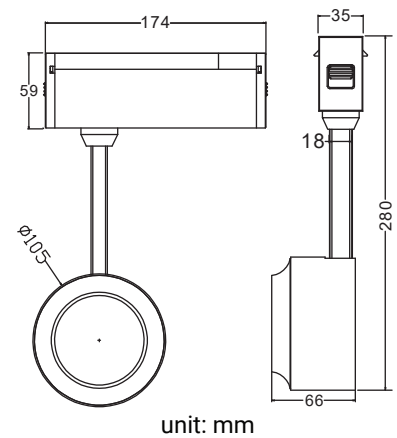
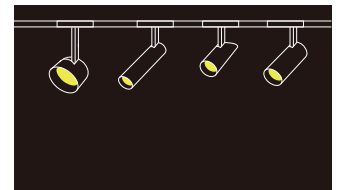
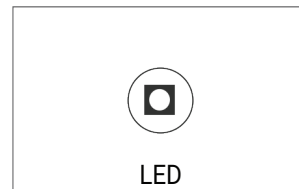
Standard Warranty

TECHNICAL DATA SHEET - ORZA - 17269 - MAGNETIC TRACK LIGHT



TECHNICAL DATA

Product Data	Track Light
Lamp Type	CITIZEN LED
Wattage	15W
Color Temperature	4000K
Rated Luminaire Luminous Flux	1275lm
Rated Luminaire Efficiency	85lm/W
IP Rating	20
Beam Angle	36°
Voltage	DC24V
Frequency Range	50-60 Hz
CRI	Ra>90
Power Factor	>0.9
Operating Temperature	-20°C ~ +50°C
Safety Class	Class III
Material	High-grade Aluminium
Finish	Black
Life Span	60,000 Hours
Warranty	6 Years
Applications	Residential, Commercial, Hospitality etc.



m	lux	cm
1.0	2090	55
2.0	522	90
3.0	232	140
4.0	130	172

Beam Angle 36°

TECHNICAL OPTIONS

Wattage	20W / 25W
Color Temperature	2700K-6000K
Beam Angle	15°/24°
Finish	White
Control	Switchable/TRIAC/0-10V/Wi-Fi/Bluetooth