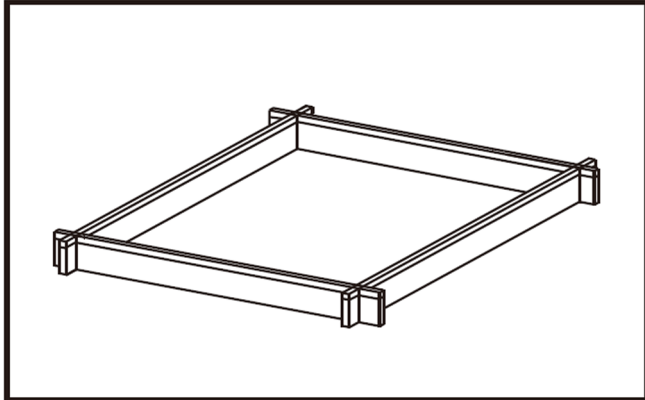
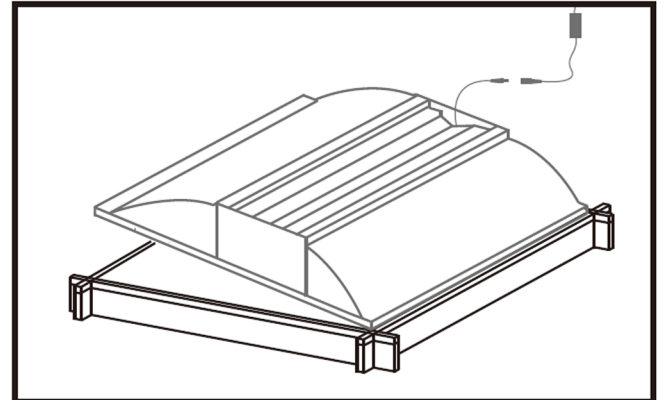


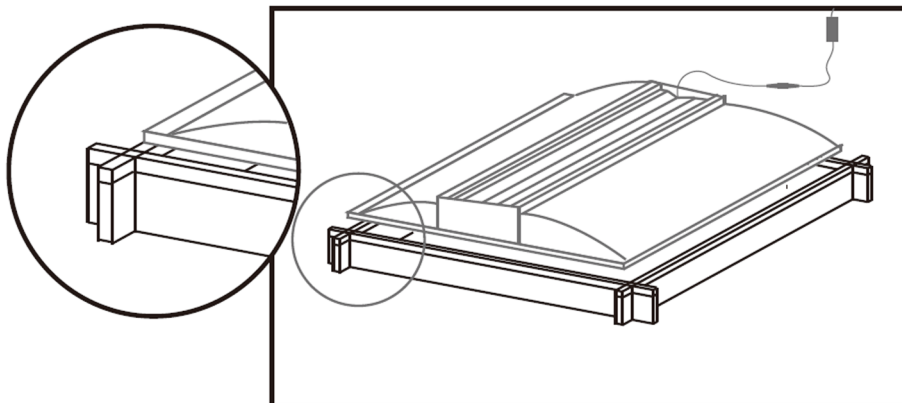
Installation Instructions



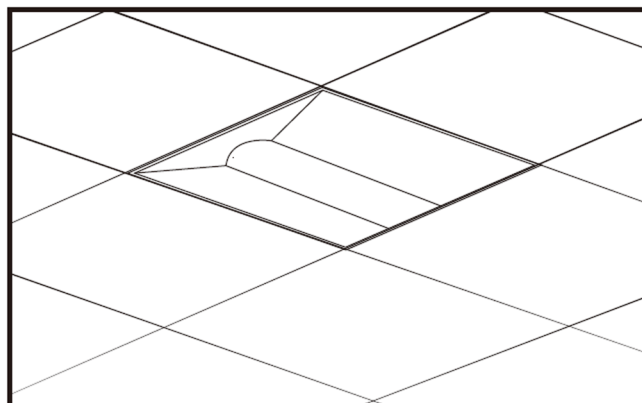
1.Remove Ceiling plaster slab.



2.Connect power supply.



3.Fix the troffer light into right place.



4.Stabilize the troffer light.