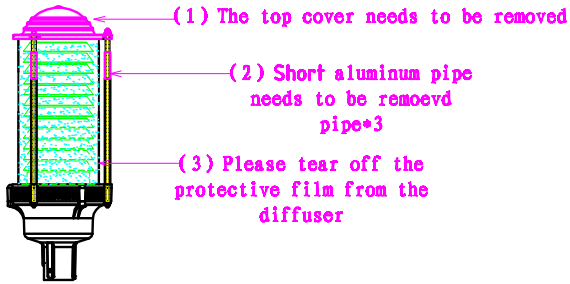
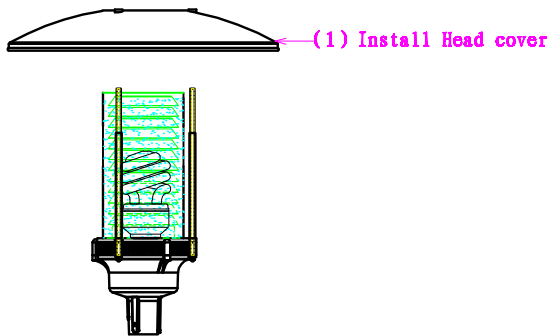
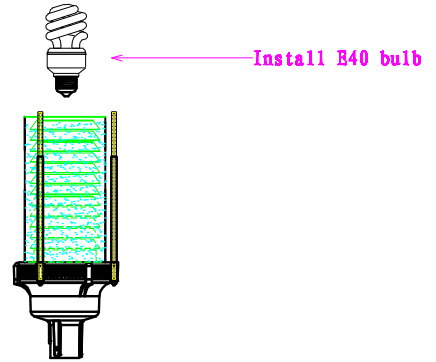


## Installation Instructions for Head

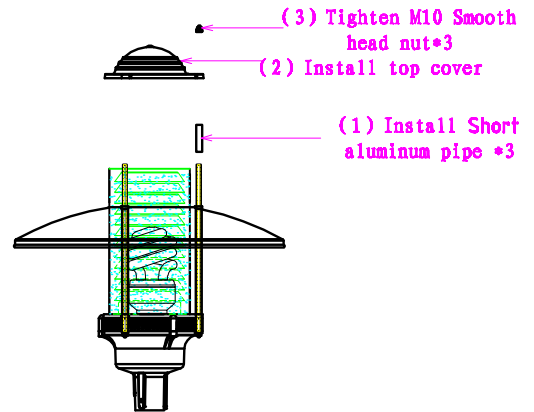
### Step 1



### Step 2



### Step 3



### Step 4

## Installation Instructions for Pole

