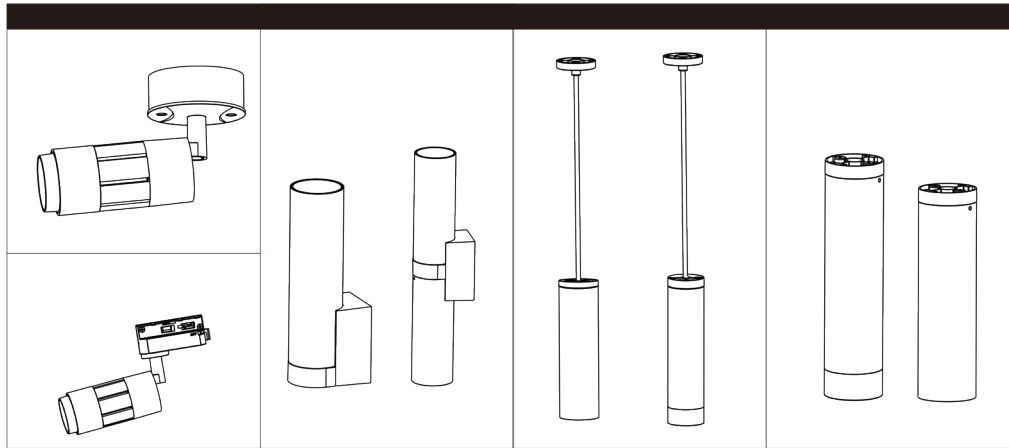


Installation Instruction



(E) Warnings:

1. Input voltage and input power are indicated in the luminaries label
2. Don't replace any accessories when the luminaire is at work.
3. This luminaire is suitable for indoor use only.
4. The luminaires are only to be installed outside arm reach.
5. Max. weight and max. input current are not more than the rated parameters of track used.
6. Under no circumstances, can the luminaire be covered with heat insulation gasket or similar materials.
7. The light source contained in this luminaire shall only be replaced by the manufacturer or local distributor or a similar qualified person in order to avoid hazards.
8. To avoid potential lamp failure, the luminaire should be switched off at least once a week.



Pendant & Surface mounted version		Wall Light (single head)	
<p>take out the connector by anticlockwise direction</p> <p>STEP 1</p> <p>Pendant</p> <p>Surface Mounted</p>	<p>STEP 2</p>	<p>take out by anticlockwise direction</p> <p>STEP 1</p>	<p>main power supply</p> <p>STEP 2</p>
<p>1. main power supply</p> <p>groove & tab</p> <p>2. twist lock in clockwise direction</p> <p>STEP 3</p> <p>Pendant</p> <p>Surface Mounted</p>	<p>STEP 3</p>	<p>secured the bracket on the wall</p> <p>STEP 3</p>	<p>groove & tab</p> <p>twist lock by clockwise direction</p> <p>details</p> <p>STEP 4</p>
Track Light		Wall Light (double head)	
<p>OFF</p> <p>STEP 1</p>	<p>3 phase</p> <p>STEP 2</p>	<p>take out 2 heads by anticlockwise direction</p> <p>STEP 1</p>	<p>main power supply</p> <p>STEP 2</p>
<p>ON</p> <p>CLICK!</p> <p>STEP 3</p>	<p>OK!</p> <p>STEP 4</p>	<p>secured the bracket on the wall</p> <p>STEP 3</p>	<p>groove & tab</p> <p>twist lock by clockwise direction</p> <p>details</p> <p>STEP 4</p>
Surface mounted light			
<p>STEP 1</p>	<p>main power supply</p> <p>STEP 2</p>	<p>STEP 3</p>	<p>STEP 3</p>