

JABO LED STREET LIGHT

Mounting instruction

JABO - A (A PCS B)-Y

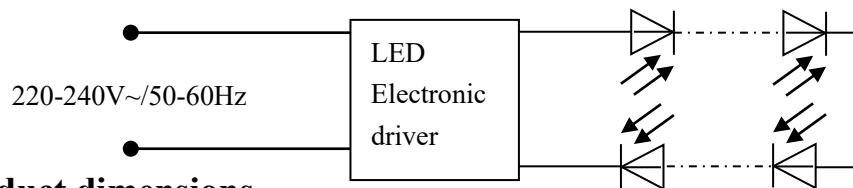
A stands for number of LED, it can be from "8" to "36".

B stands for rated power, it can be from "11W" to "80W".

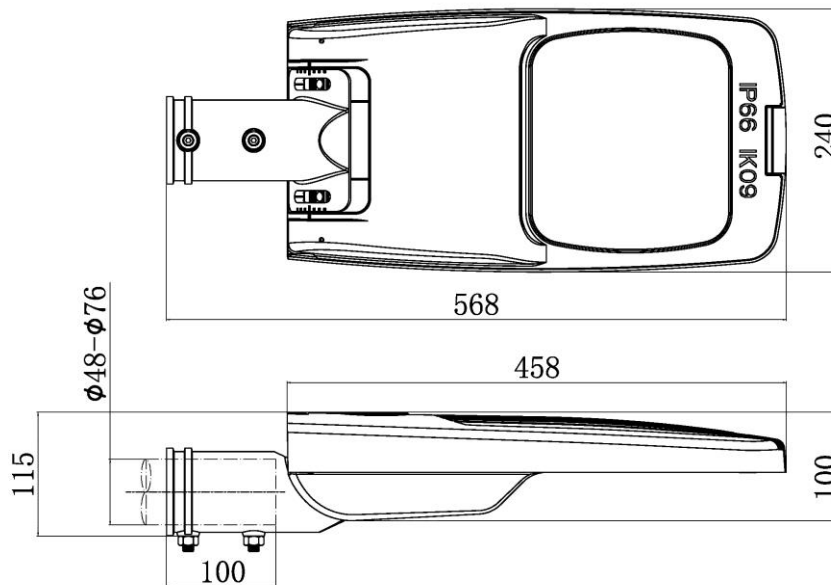
Y stands for socket type, it can be "O", "N" "Z". (O: No socket; N: NEMA socket; Z: Zhaga socket).

GB 7000 IEC 60598 ta 40°C IP66 CE   

Electrical schematic



Product dimensions



The max projected area:0.11m²

The max mounting height:6m

Maximum area against wind:0.04m²

Mounting instruction

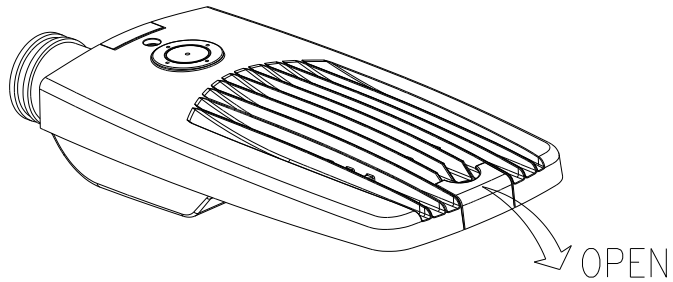


Fig.1 open the lock

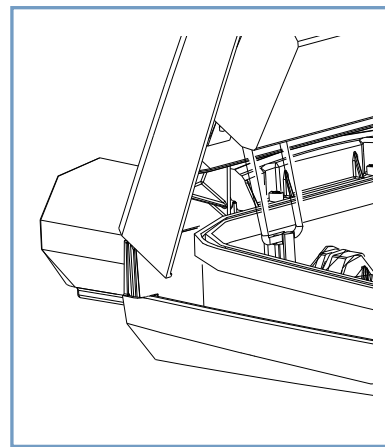
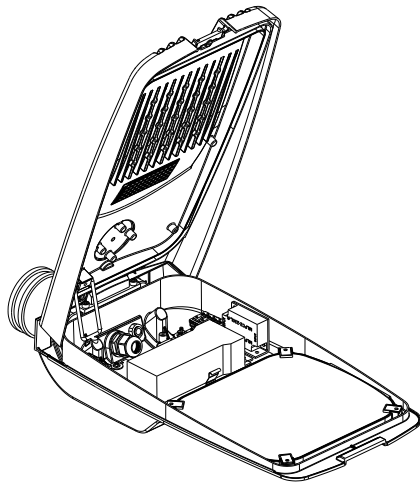
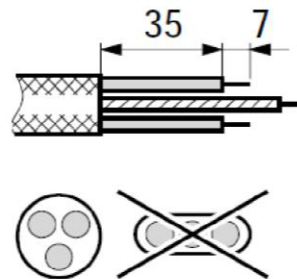
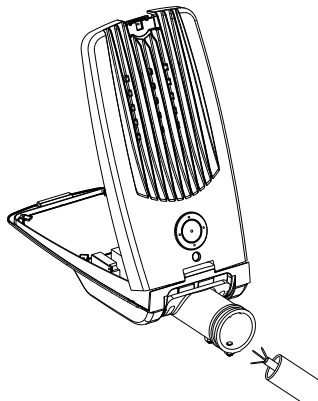


Fig.2 hold up the top cover



Power Cable 3x1.5mm²/2x1.5mm²

Fig.3 insert into the pole (outside diameter: 48-76mm)

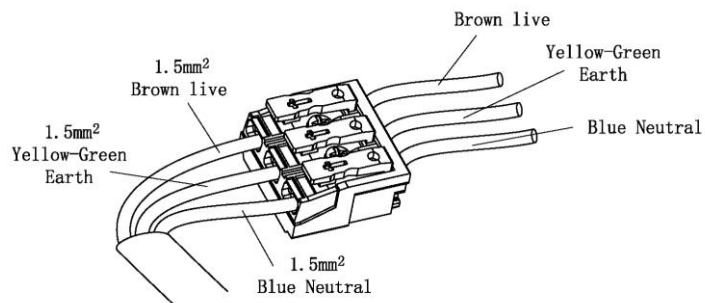


Fig. 4.1 For class I luminaire

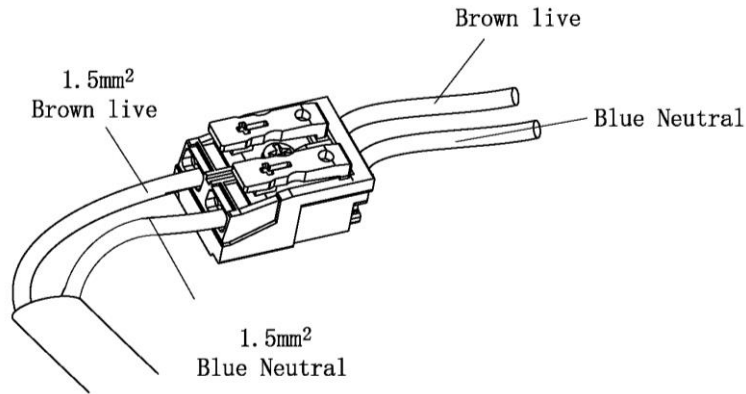


Fig. 4.2 For class II luminaire

Attention: The input cable should meet the requirement of 60245 IEC 57.

Fig.4 connect the wire

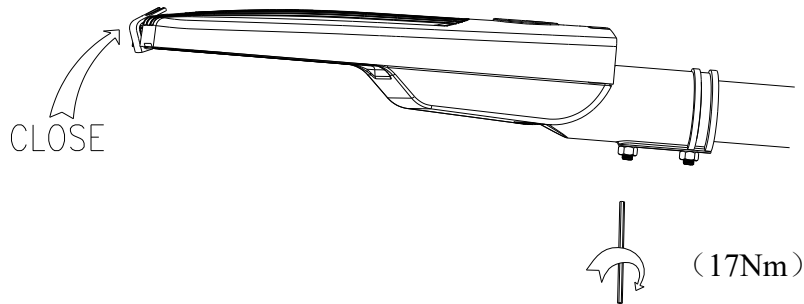


Fig.5 close the lock and screw nuts



1. The lighting should be placed where is cool,dry,clean and not allowed to be placed in the water or closed to fire resource and high temperature place.
2. To make sure the lighting is intact before it is installed and used. Only the authorized electrician can install the lighting, and the wire should be in line with national standards.
3. To lock the wire's fixed head and the screw on the top cover tightly in order to make sure the light is waterproof.
4. Don't switch on the power when connecting the wire.
5. The input cable should be 3 cores for class 1 or 2 cores for class 2 and the min cross-sectional area of the conductor should be 1.5 mm².The input cable should meet the require of 60245 IEC 57.
6. The thickness of the glass is 4mm.if it is broken, it can be replaced.
- 7.If the external flexible cable or cord of this luminaire is damaged, it shall be exclusively replaced by the manufacturer or his service agent or a similar qualified person in order to avoid a hazard.
8. The light source contained in this luminaire shall only be replaced by the manufacturer or his service agent or a similar qualified person.