

Installation Instructions

(Please read carefully before installation and save)

Thanks for choosing this product, please read the instructions which would tell you the way to connect and some matters need attention before installing and using. Take care of the instructions in case you might use it.

Specification

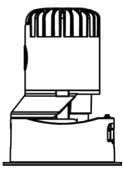

Product: Embedded LED light

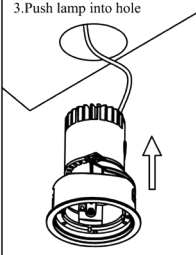
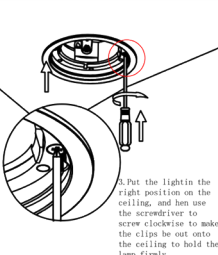
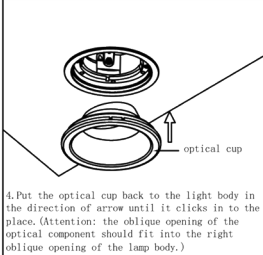
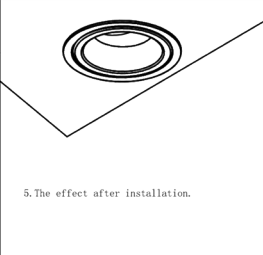
Voltage: 220V 50Hz-60Hz

Accessories: 1. Lamp .

2. Instruction for use.

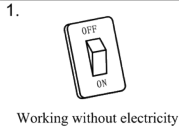
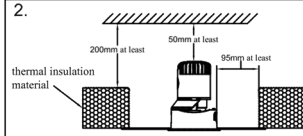
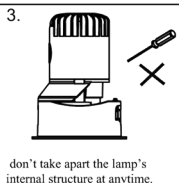
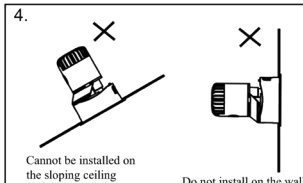
Installation Instruction

1. Open suitable hole on ceiling	SERIES	No.	SIZE	CUTOUT		

	 <p>3. Put the light in the right position on the ceiling, and then use the screwdriver to screw clockwise to make the clips be out onto the ceiling to hold the lamp firmly.</p>	 <p>4. Put the optical cup back to the light body in the direction of arrow until it clicks in to the place. (Attention: the oblique opening of the optical component should fit into the right oblique opening of the lamp body.)</p>	 <p>5. The effect after installation.</p>
--	--	---	---

Matters Need Attention

- ! Use under the indoor conditions and prevent from shock, dust and high temperature, or will easily lead to fire and electric shock.
- ! In case of electric shock, please shut off the power before installing, cleaning and fixing.
- ! Please make sure the recessed down light with 95 mm draught hole at least. The lamp should be kept at least 500 mm from the irradiated object, or will lead to fire and fault.
- ! Avoid to cover lamps by thermal insulation material or similar materials at any case.
- ! Should not take apart the lamp's internal structure at anytime.
- ! Cut off the power when the product works abnormally and contact with our service center or our specialists.

 <p>1. Working without electricity</p>	 <p>2. thermal insulation material</p>
 <p>3. don't take apart the lamp's internal structure at anytime.</p>	 <p>4. Cannot be installed on the sloping ceiling Do not install on the wall</p>

Maintain

In order to use our products effectively, please do an all-around clean every six months. You can use hair-dryer or dry brush to get rid of the dust on the surface, then use soft cloth with alcohol to clean the product. Dust not only affect the out looking, but also badly impair the heat dispersion and shorten the life span. Please don't use water, gasoline and Tiana to clean it, or will destroy the lamp or its color. Every 3 or 5 years, please ask the specialists to check the lights and change the broken components in case of fire.