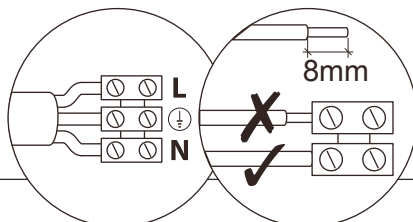
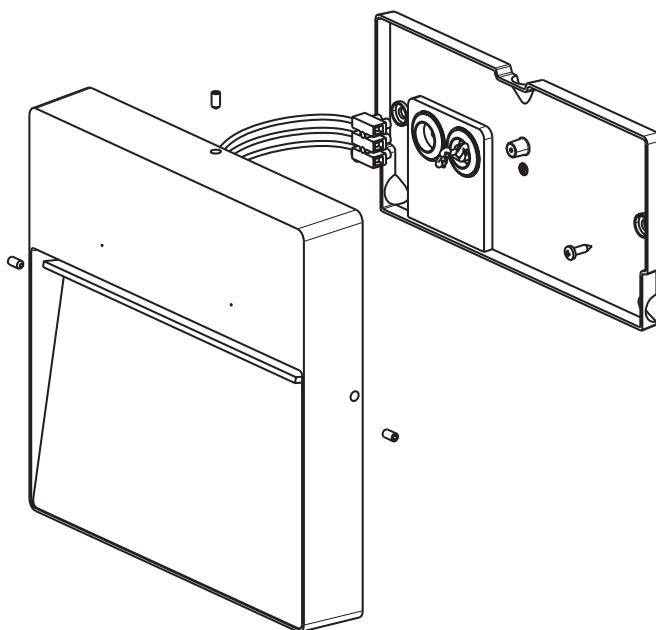


### Installation Instructions



Warning: Must be installed by a qualified electrician

