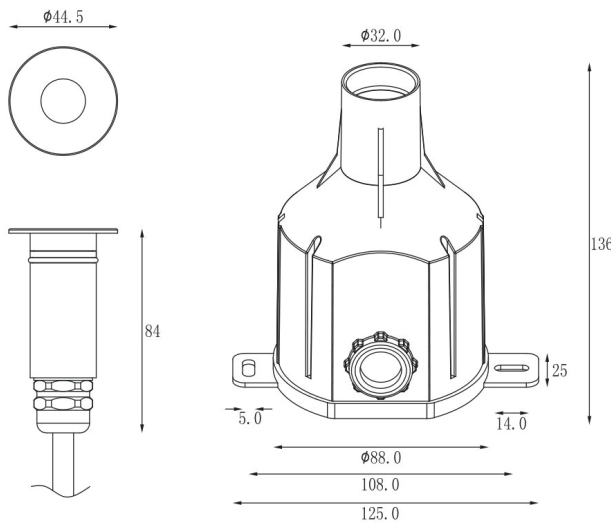
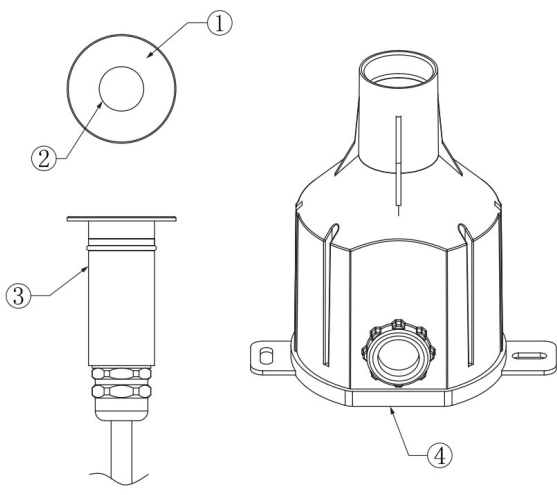


## Installation Instruction

OUTLINE DIMENSION	BOM
 <p>Unit: mm</p>	 <p>① Front ring    ② Tempered glass    ③ Housing ④ Mounting sleeve</p>

Note: The drawing was show a general introduction to this description.  
When the discrepancy between the actual product and drawing,  
please all to the actual products.

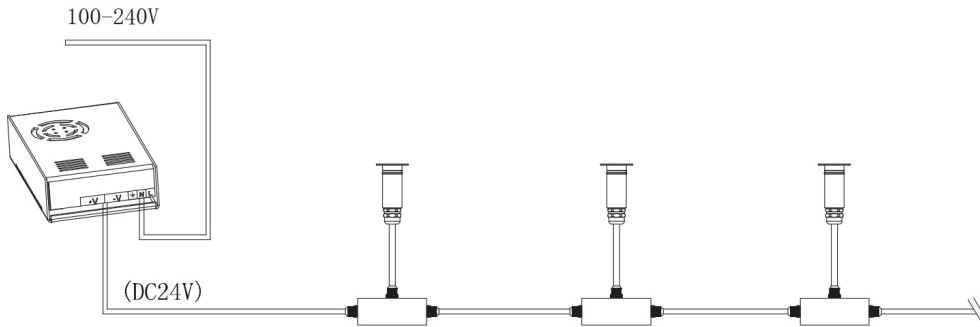
## 1.FEATURES

- This product is a high power LED recessed underwater light .
- The standard color temperature of warm white is in range 2700-3200k.
- The standard input voltage is 24VDC(low voltage),When you install the product ,please check the data label on the product and the wire.
- When using low voltage light fixture,please prepare powerful power supply or 24VDC output transformer. Total demand of power is according to total power consumption +total power of cable impedance consumption.When installation,always work with technician or install by technician.
- The main material of this product is stainless steel,due to the thermal conductivity is very bad. When using this light ,make sure put it into the water ,then light up.
- This is a IP68 grade product.
- Applicable environment:Temperature of water between  $-20^{\circ}\text{C} \sim +40^{\circ}\text{C}$  ,less than 1m in depth.

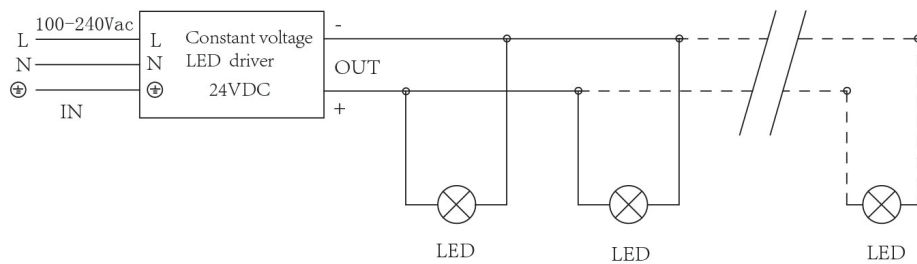
## 2. WIRING DIAGRAM

2.1: Low voltage single color fitting: use external power supply, the input voltage of power supply must be consistent with the requested input voltage of the fitting, as the fitting is constant voltage input type. The power consumption of power supply must be decided by installer according to the requirements from the site.

Example of wiring:



24VDC: circuit of product.



Explanations: the transmit circuit of the whole group depends on the circuit of junction boxes. the max. current depends on the max. load of power cable between the junction box, but it is not related to the max. load current of power cable of the fitting. The outer diameter of cable between the junction boxes is limited by the max. outer diameter of speed plug, the max. allowed outer diameter is 10mm.