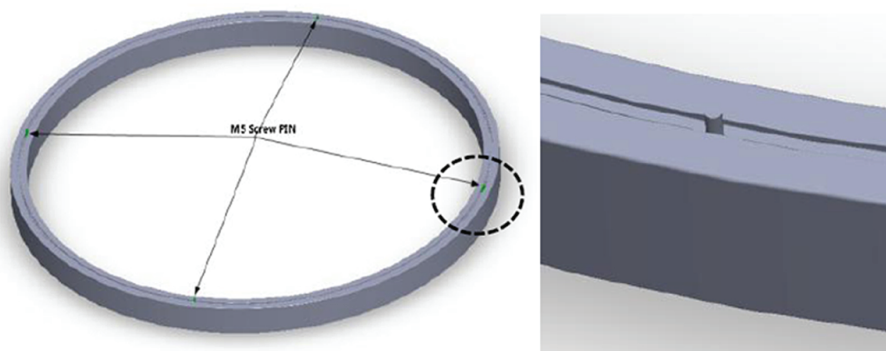
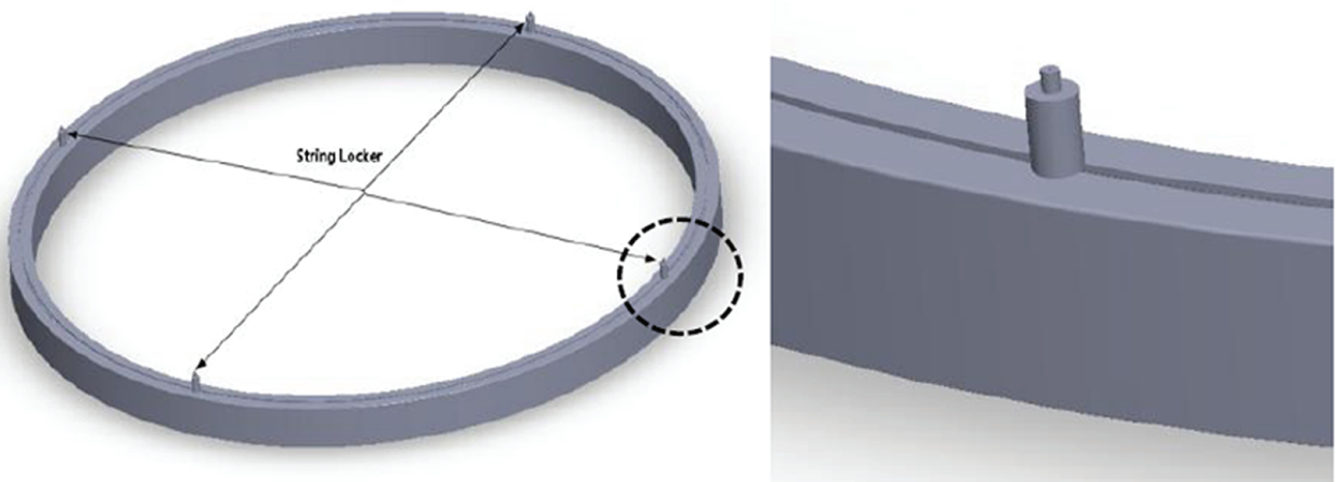


## Installation Instructions

1. Open carton box and take out light and accessories. Put the light and all accessories on a flat surface, diffuser side downwards.
2. Properly position the M5 hanging pin in the slot of the ring, with same spacing between each other. See below picture for reference:

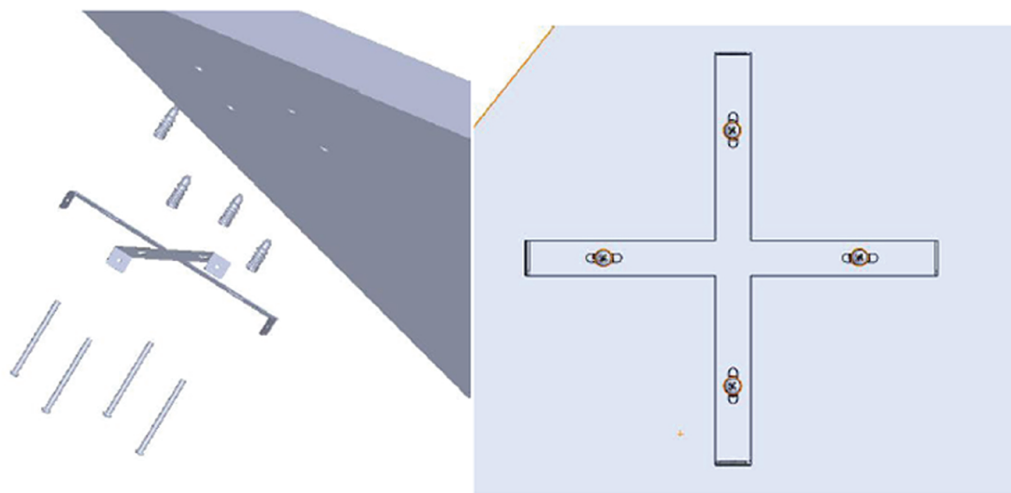


3. Lock the strain relief with M5 hanging pins, see pictures below:

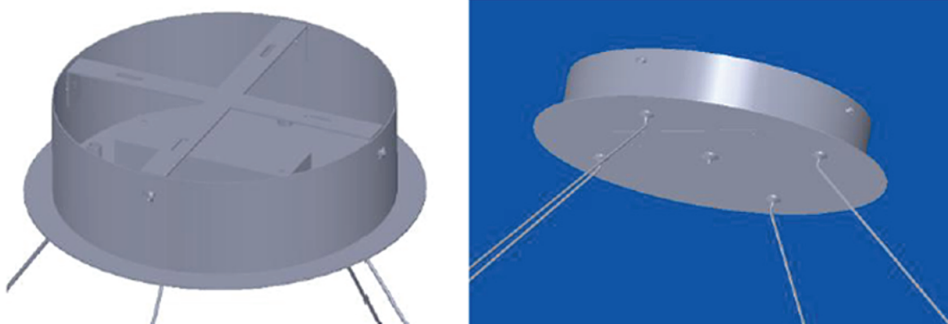


## Installation Instructions

4. Take out Plastic Pin and Support Bracket. And drill holes on the ceiling according to Support Bracket. Fixing holes diameter is 8mm. Insert the expansion bolts into the holes. Then Use M4\*25 Self-Tapping screw to fix Support Bracket on the Ceiling.



5. Use 4 pcs M4\*20 Screw to fix ceiling disk and Support Bracket from the side. See pictures below for your reference:



6. Have the two ends of the suspension chain insert into the lighting fixture and strain relief from the ceiling pan, then the suspension chain is fixed. Then the ring light is hung! Turn on electricity, ring light will on. Finish installation. See picture below for the installed ring light.