

## Varo

### Recessed Spotlight



### Features

- Aluminium die casting material, improvement of the traditional heat sink, avoid the potential risk from high temperature
- Electrostatic painting surface, keep the color consistency
- Anti glare by deeply placed LED source
- Same size for Adjustable and Fixed model

 **Recessed**

 **IP Rating**  
IP44

**Colour Rendering Index**  
≥80

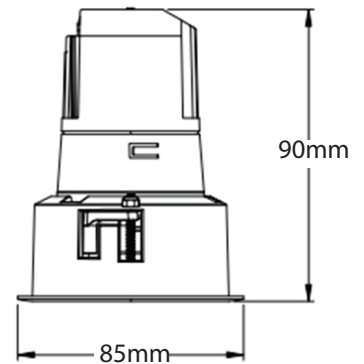
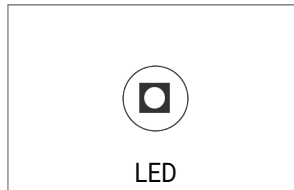
**6** years **Standard Warranty**  
warranty

## TECHNICAL DATA SHEET - VARO - 16819 - RECESSED SPOTLIGHT



### TECHNICAL DATA

<b>Product Data</b>	Recessed Spotlight
<b>Lamp Type</b>	CITIZEN LED
<b>Wattage</b>	8W
<b>Color Temperature</b>	3000K
<b>Rated Luminaire Luminous Flux</b>	640lm
<b>Rated Luminaire Efficiency</b>	80lm/W
<b>IP Rating</b>	44
<b>Beam Angle</b>	50°
<b>Voltage</b>	AC220-240V
<b>Frequency Range</b>	50-60 Hz
<b>CRI</b>	Ra>80
<b>Power Factor</b>	>0.95
<b>Output Current</b>	460mA
<b>Output Voltage</b>	32-40V
<b>Safety Class</b>	Class II
<b>THD</b>	≤ 15%
<b>Operating Temperature</b>	-20°C ~ +40°C
<b>Storage Temperature</b>	25°C
<b>SDCM(MacAdam)</b>	< 3
<b>Material</b>	Die Cast Aluminum body with Black Chrome Reflector
<b>Finish</b>	White + Iron Gray
<b>Life Span</b>	60,000 Hours
<b>Warranty</b>	6 Years
<b>Applications</b>	Residential, Commercial, Hospitality etc.



Cutout: 75mm

### TECHNICAL OPTIONS

<b>Wattage</b>	3W/5W/10W/12W
<b>Color Temperature</b>	2700K-6000K
<b>Beam Angle</b>	11°/18°/24°/36°
<b>Control</b>	Switchable / TRIAC / DALI / 1-10V / 0-10V