

## Varo

### Recessed Spotlight



### Features

- Aluminium die casting material, improvement of the traditional heat sink, avoid the potential risk from high temperature
- Electrostatic painting surface, keep the color consistency
- Anti glare by deeply placed LED source
- Same size for Adjustable and Fixed model

 **Recessed**

 **IP Rating**  
IP44

**Colour Rendering Index**  
≥80

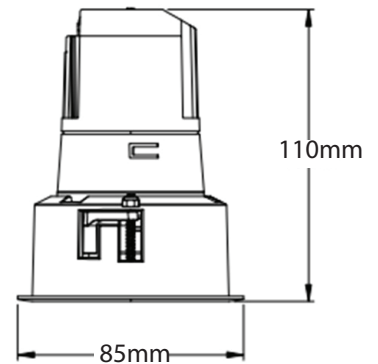
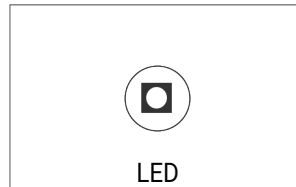
**6** years **Standard Warranty**  
warranty

## TECHNICAL DATA SHEET - VARO - 16737 - RECESSED SPOTLIGHT



### TECHNICAL DATA

Product Data	Recessed Spotlight
Lamp Type	CITIZEN LED
Wattage	8W
Color Temperature	3000K
Rated Luminaire Luminous Flux	960lm
Rated Luminaire Efficiency	80 lm/W
IP Rating	44
Beam Angle	60°
Voltage	AC220-240V
Frequency Range	50-60 Hz
CRI	Ra>80
Power Factor	>0.95
Output Voltage	27-42V
Safety Class	Class II
THD	≤ 15%
Operating Temperature	-20°C ~ +40°C
Storage Temperature	25°C
SDCM(MacAdam)	< 3
Control	1-10V Dimmable
Material	Aluminum body + Clear Glass
Finish	White + Iron Gray
Life Span	60,000 Hours
Warranty	6 Years
Applications	Residential, Commercial, Hospitality etc.



Cutout: 75mm

### TECHNICAL OPTIONS

Wattage	3W/5W/8W/10W
Color Temperature	2700K-6000K
Beam Angle	15°/24°/30°/36°
Control	Switchable / TRIAC / DALI / 0-10V

