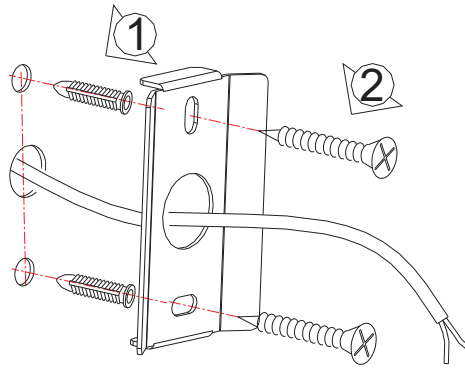


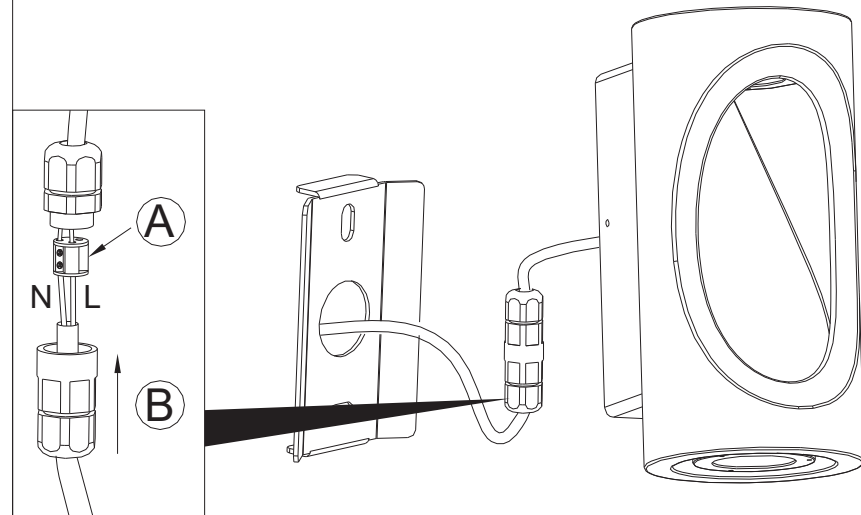
Installation Instruction

ATTENTION: YOU HAVE TO CUT OFF THE POWER BEFORE INSTALLING THE LAMP

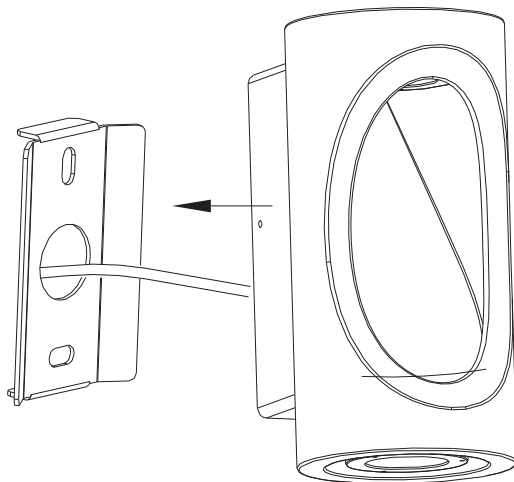
1



2



3



4

