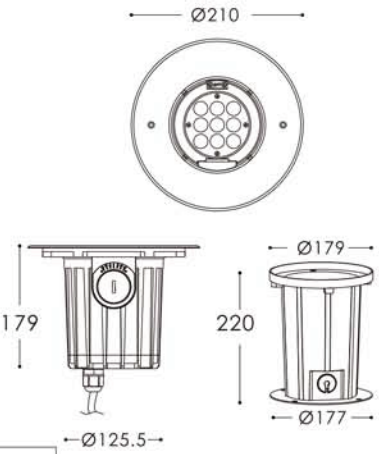
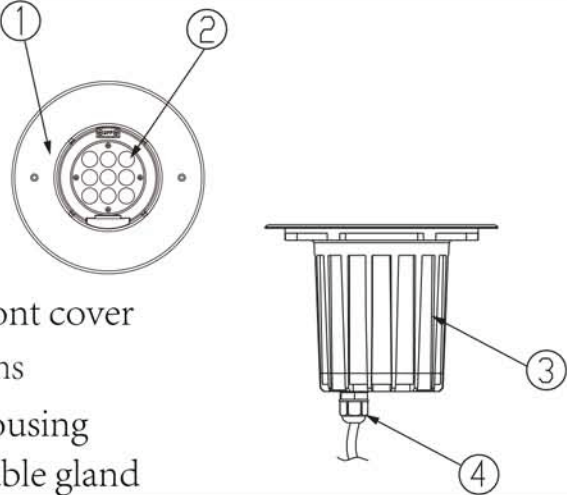


Installation Instructions

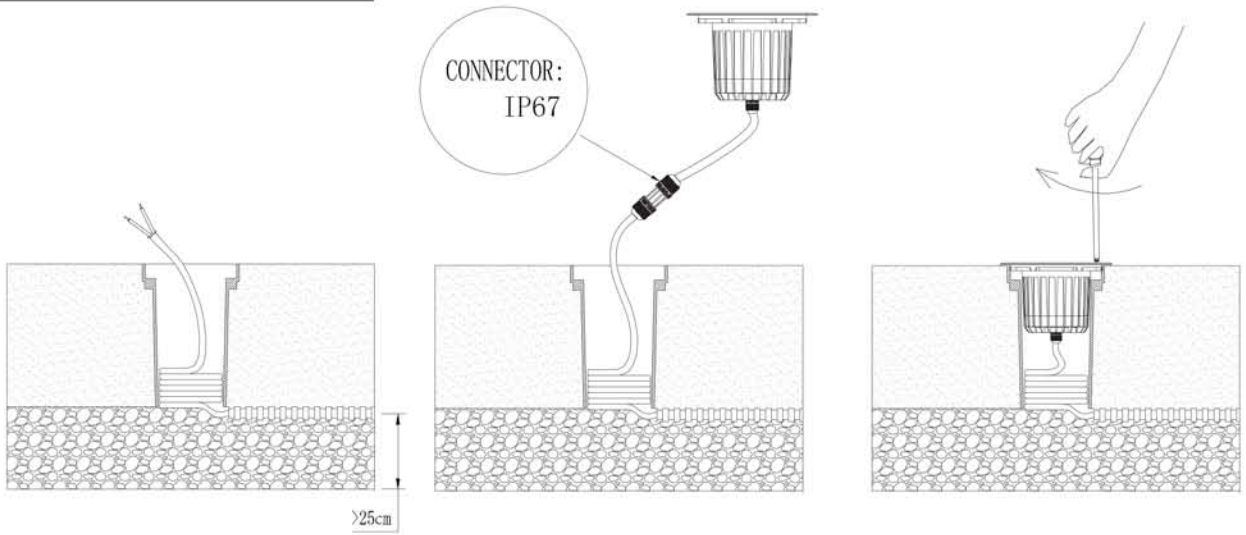
| OUTLINE DIMENSION | EXTERIOR COMPONENTS DESCRIPTION |
|---|--|
|  <p>Unit: mm</p> |  <p>① Front cover ② Lens ③ Housing ④ Cable gland</p> |

Note: The drawing was show a general introduction to this description.
When the discrepancy between the actual product and drawing,
please all to the actual products.

1.FEATURES

- This product is a high power LED inground light.
- The standard color temperature of warm white is in range 2700-3200k.
- The standard input voltage is 100-240VAC. When you install the product, please check the data label on the product and on the wire.
- When installation, always work with technician or install by technian.
- The main material of this product is aluminum, surface coating is only suitable for natural environment, don' t install this product near the sea water or in the environment which is high salty or high acid.
- This is IP67 grade product, don' t put fixture into water.
- Applicable environment temperaturvre: -20°C<fixture<+40°C

2. INSTALLATION

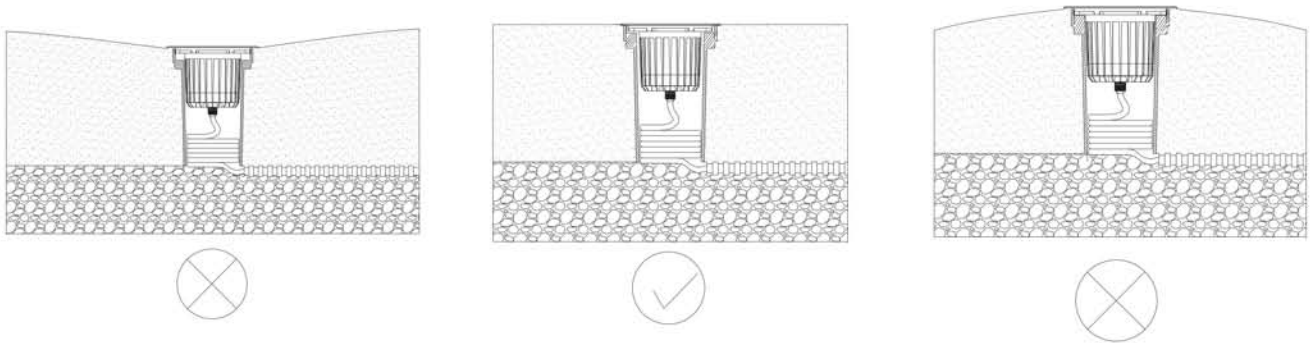


Install the mounting sleeves on the ground, the top side should be on the same level with the ground surface, power cable need to go through the mounting sleeve.

Connect the power cable with the lighting fixture. *keep enough length for maintain*

Fix the lighting fixture with the mounting sleeve by a screwdriver.

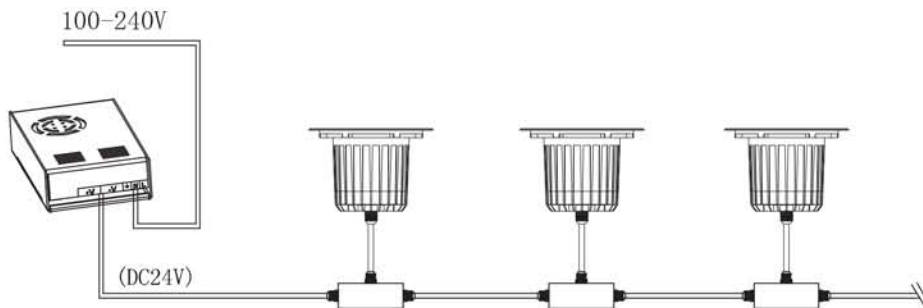
Note: The thickness of the gravel must thicker than 25 cm.



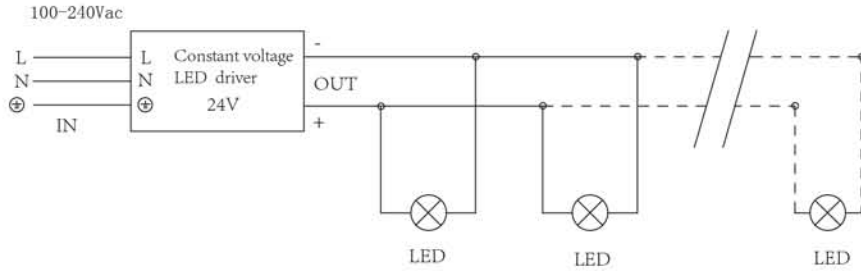
3. WIRING DIAGRAM

3.1: Low voltage single color fitting: use external power supply, the input voltage of power supply must be consistent with the requested input voltage of the fitting, as the fitting is constant voltage input type. The power consumption of power supply must be decided by installer according to the requirements from the site.

Example of wiring:



24VDC:circuit of product.



Explanations:the transmiss circuit of the whole group depends on the circuit of junction boxes.the max. current depends on the max. load of power cable between the junction boxer ,but it is not related to the max. load current of power cable of the fitting.The outer diameter of cable between the junction boxes is limited by the max. outer diameter of speedy plug,the max. allowed outer diameter is 10mm.

4.SPECIFICATIONS

4.1.Material specifications:

- Housing: 12# Die-casting grey powder coated aluminum.
T=60-80um.Adhesion of ISO class 1/ATM class 4B
- Front cover: Stainless steel SUS 316L[#]
- Glass: Step tempered white coating glass.T=8mm
- Cable gland: IP-68 PA66 PG-13.5
- Gasket: Molding shaped seal
- Driver: Constant current output
- Operating temperature: -20°C~40°C
- Power cable: H05RN-F 2×1.0 mm²L=0.5m(low voltage)
- Mounting sleeve: ABS Housing with diron base

4.2.Electrical parameters:

| Item NO. | Light source | Lens | Degree(°) | Input voltage(v) | Typical oporating current (mA) | Typical consumption (W) | Typical luminance(lm) | IK rate |
|----------|--------------|------|------------|------------------|--------------------------------|-------------------------|-----------------------|---------|
| 15406 | 9×1.2W | B17 | 20 | 100-240V AC | 500 | 12.0 | 756 | 10 |