

Gutlof X Recessed Spotlight



Features

- Selected LED chip with efficient driver, energy-saving with 60000 hours lifespan
- PC cover with high transmittance, offering uniform and comfortable light
- Excellent aluminum reflector offers even and better light color, bringing visual comfort
- Excellent heat dissipation design for good heat dissipation to extend the lifespan of the lamp
- Housing material: Aluminum with good performance

 **Recessed**

 **IP Rating**
IP44

Colour Rendering Index
≥90

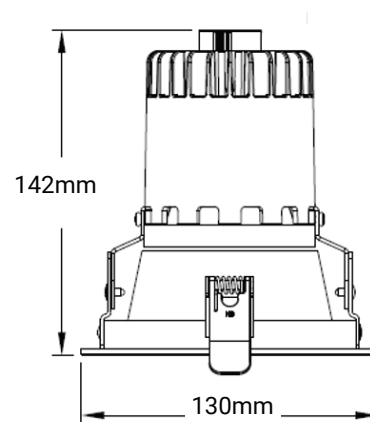
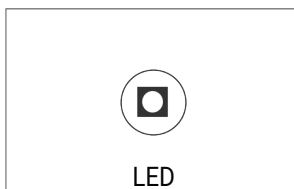
6 years
warranty **Standard Warranty**

TECHNICAL DATA SHEET - GUTLOF X - 15159 - RECESSED SPOTLIGHT



TECHNICAL DATA

Product Data	Recessed Spotlight
Lamp Type	PHILIPS LED
Wattage	15W
Color Temperature	4000K
Rated Luminaire Luminous Flux	1050lm
Rated Luminaire Efficiency	70lm/W
IP Rating	44
Beam Angle	60°
Voltage	AC220-240V
Frequency Range	50-60 Hz
CRI	Ra>90
Power Factor	>0.4
Output Voltage	27-42V
Output Current	350mA
Safety Class	Class II
THD	≤ 15%
Operating Temperature	-20°C ~ +40°C
Storage Temperature	25°C
SDCM(MacAdam)	< 3
Material	Die Cast Aluminum body
Finish	White+Iron Grey
Life Span	60,000 Hours
Warranty	6 Years
Applications	Residential, Commercial, Hospitality etc.



Cutout: 120mm

TECHNICAL OPTIONS

Wattage	20W, 25W
Color Temperature	2700K-6000K
Beam Angle	15°/24°/30°/36°
Control	Switchable / TRIAC / DALI / 0-10V