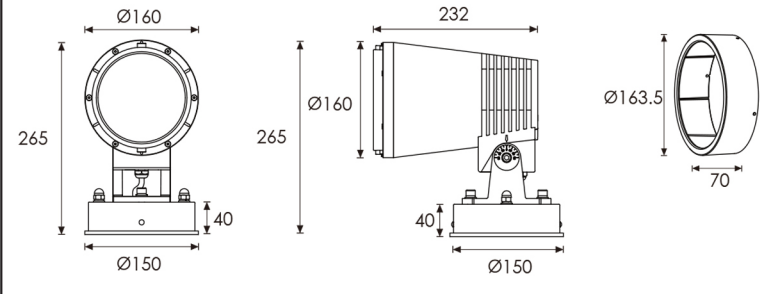
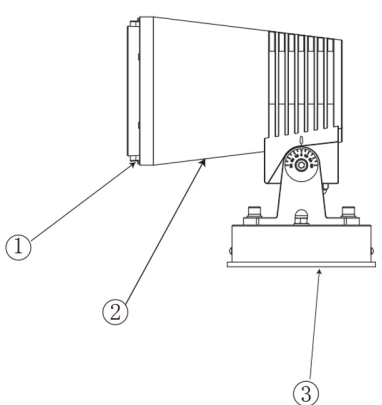


INSTALLATION INSTRUCTIONS

OUTLINE DIMENSION	BOM
 <p>Unit: mm</p>	 <p>① Front cover ② Housing ③ Mounting base</p>

Note: This picture is only for general use. Any discrepancy between the real object and the illustration shall be subject to the object.

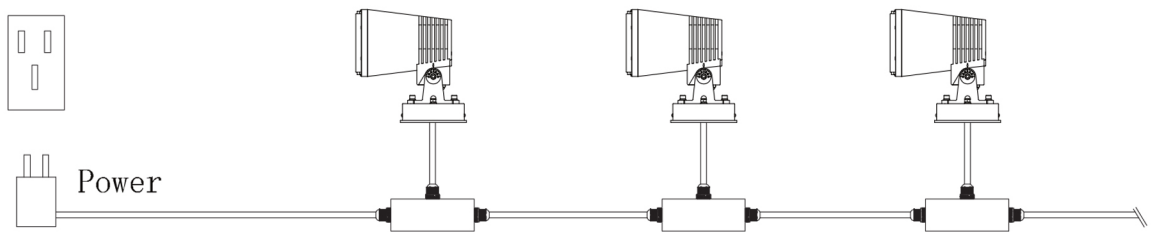
1. FEATURES

- This product is a high power LED spot light.
- The standard color temperature of warm white is in range 2700-3200k.
- The standard input voltage is 100-240VAC. When you install the product, please check the data label on the product and the wire.
- When installation, always work with technician or install by technician.
- The main material of this product is aluminum, surface coating is only suitable for natural environment. don't install this product near the sea water or in the environment which is high salt or high acid.
- This is a IP65 grade product, don't put fixture into water.
- Applicable environment temperature: -20°C ~ +40°C

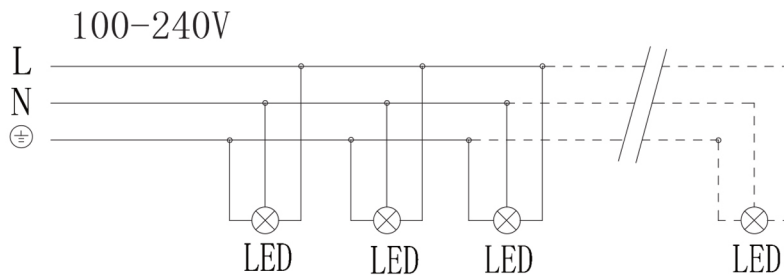
2.WIRING DIAGRAM

2.1: High voltage single color fitting: refer to the following recommended wiring method.

Example of wiring:



100-240VAC: circuit of product.



3.SPECIFICATIONS

3.1. Material specifications:

- Housing: 12 # Die-casting powder coated aluminum. T=60-80um.
Adhesion of ISO class 1/ASTM class 4B.
- Glass: Tempered glass. T=3mm
- LED: Nichia
- Cable gland: IP-67
- Power cable: H05RN-F 3×1.0mm² L=0.3m (high voltage)

3.2. Electrical parameters:

Item No.	Light source	Lens	Degree(°)	Input voltage(v)	Typical operating current(mA)	Typical Consumption(w)	Typical luminance(lm)	IK rate
15123	45W	B33D	45°	240VAC	186	44	4950lm	06